

# **Blue BYRD**

## **2nd generation**

**IN-EAR HEADPHONES**  
**IN-EAR-KOPFHÖRER**  
**ÉCOUTEURS INTRA-AURICULAIRES**  
**INTRA-AURICULARES**  
**AURICOLARI IN-EAR**  
**IN-EAR-HÖRLURAR**  
インイヤー型イヤホン  
入耳式耳机

OPERATING INSTRUCTIONS  
BEDIENUNGSANLEITUNG  
MODE D'EMPLOI  
INSTRUCCIONES DE USO  
ISTRUZIONI D'USO  
BRUKSANVISNING  
取扱説明  
使用说明书

**beyerdynamic**



English .....	5
Deutsch .....	15
Français .....	25
Español.....	35
Italiano .....	45
Svenska .....	55
日本語 .....	65
中文.....	75

## TRADEMARKS

Apple, Apple TV, Apple Watch, iPad, iPad Air, iPad Pro, iPhone, and Lightning are trademarks of Apple Inc., registered in the U.S. and other countries. tvOS is a trademark of Apple Inc. The trademark "iPhone" is used in Japan with a license from Aiphone K.K.

Android is a trademark of Google LLC.

The Bluetooth® word mark and logos are registered trademarks of Bluetooth SIG, Inc. and all use of these trademarks by beyerdynamic is licensed. Other trademarks and trade names are the property of the respective owners.

qualcomm aptX™ is a product of qualcomm Technologies, Inc. and/or its subsidiaries. qualcomm® is a registered trademark of qualcomm Incorporated in the USA and in other countries.

aptX™ is a registered trademark of qualcomm Technologies International, Ltd.

USB Type-A, Type-B and Type-C are trademarks of USB Implementers.



# **Blue BYRD** **2nd generation**

**IN-EAR HEADPHONES**

OPERATING INSTRUCTIONS

**beyerdynamic**

# CONTENTS

<b>SAFETY INSTRUCTIONS</b> .....	<b>3</b>	<b>HELP WITH PROBLEMS / FAQ</b> .....	<b>8</b>
Intended use .....	3	<b>BATTERY LIFE</b> .....	<b>8</b>
Adjusting the volume .....	3	<b>CLEANING AND MAINTENANCE</b> .....	<b>8</b>
Reducing perception of ambient noise .....	3	<b>SPARE PARTS</b> .....	<b>8</b>
Changed acoustic perception .....	3	<b>DISPOSAL</b> .....	<b>9</b>
Cleaning .....	3	<b>EU DECLARATION OF CONFORMITY</b> .....	<b>9</b>
Risk of swallowing .....	3	<b>TECHNICAL DATA</b> .....	<b>9</b>
Using the batteries .....	3	<b>PRODUCT REGISTRATION</b> .....	<b>9</b>
Environmental conditions .....	3	<b>WARRANTY CONDITIONS</b> .....	<b>9</b>
<b>ABOUT THIS MANUAL</b> .....	<b>4</b>	<b>FCC / IC REGULATION</b> .....	<b>9</b>
<b>SUPPLIED ACCESSORIES</b> .....	<b>4</b>		
<b>PRODUCT OVERVIEW</b> .....	<b>4</b>		
<b>FIRST STEPS</b> .....	<b>4</b>		
Removing from packaging and storing .....	4		
Charging the battery .....	4		
Selecting/changing eartips .....	5		
Inserting and wearing the earphones .....	5		
<b>BEYERDYNAMIC MIY APP</b> .....	<b>5</b>		
<b>SOFTWARE UPDATE</b> .....	<b>5</b>		
<b>COMPATIBILITY WITH PLAYBACK DEVICES</b> .....	<b>5</b>		
<b>SUPPORTED AUDIO CODECS</b> .....	<b>5</b>		
<b>OPERATION</b> .....	<b>6</b>		
Switching on and off .....	6		
Pairing with a playback device .....	6		
Multi-point operation .....	6		
Adjusting the volume .....	7		
Playing media .....	7		
Calling up the personal assistant .....	7		
Controlling calls .....	7		
Resetting to factory settings .....	7		
Overview of operating functions .....	7		
Overview of the LED displays .....	8		
Settings for best sound .....	8		

Thank you for choosing Blue BYRD in-ear headphones.

## SAFETY INSTRUCTIONS

- ▶ Please read these instructions carefully and completely before using the product.
- ▶ Please observe all instructions given, especially those concerning the safe use of the product.
- ▶ The company beyerdynamic GmbH & Co. KG accepts no liability for damage to the product or injury to persons caused by careless, improper or incorrect use of the product, or by use for purposes not specified by the manufacturer.
- ▶ Do not use the product if it is defective.

### Intended use

Only use the product as described in this product manual. beyerdynamic accepts no liability for damage to the product or injury to persons caused by careless, improper or incorrect use of the product, or by use for purposes not specified by the manufacturer.

beyerdynamic is not liable for damage to USB devices that do not comply with the USB specifications.

beyerdynamic is not liable for damage resulting from connection interruptions due to batteries being empty or too old, or due to exceeding the Bluetooth® transmission range.

Please also observe the relevant country-specific regulations before using the product.

### Adjusting the volume



High volume levels and long listening times can permanently damage your hearing. Because in-ear headphones are placed directly in the ear canal, they can become 6–9 dB louder than conventional headphones, and this increases the risk of hearing damage.

- ▶ Before inserting the earphones, set the volume to minimum. Only increase the volume after inserting the earphones.
- ▶ Do not use the in-ear headphones at high volume for a long time. When listening and speaking normally with in-ear headphones, your own voice should still be perceptible.
- ▶ In case of tinnitus, reduce the volume. If necessary, consult a doctor.

You can personalise your Bluetooth® headphones with the beyerdynamic MIY app. The app's "Statistics" function records the sound pressure your ears are exposed to over time. However, it only refers to the sound pressure generated through the headphones' speakers and not to that from external sources of noise.

### Reducing perception of ambient noise

In-ear headphones drastically reduce perception of ambient noise. Using in-ear headphones in road traffic can be potentially dangerous. The user's hearing must not be impaired to the extent that it causes road safety risks.

- ▶ Do not use the in-ear headphones within the action area of potentially dangerous machines and tools.
- ▶ Avoid using in-ear headphones in situations where hearing must not be impaired – particularly in road traffic, when crossing a level crossing or on a construction site.

### Changed acoustic perception

For many people, wearing in-ear headphones takes some getting used to because the acoustic perception of their own voice and body as well as the inner ear sounds that occur while walking is different from the "normal" situation without in-ear headphones. However, this initially strange sensation usually diminishes after wearing them for a while.

### Cleaning

Dirt on the eartips and the formation of a warm and humid climate in the ear canal can cause an increased level of germs, which can increase the risk of an ear canal infection.

- ▶ Regularly clean the eartips.

### Risk of swallowing

- ▶ Keep small parts, such as product, packaging and accessories, away from children and pets. They constitute a choking hazard if swallowed!

### Using the batteries

#### Danger from heat, water and mechanical stress

Excessive heat, water and mechanical stress may cause explosion, heat, fire, smoke or fumes. Injuries and irreversible damage to the battery may result.

- ▶ Do not expose the battery (battery pack or integrated battery) to excessive heat, direct sunlight or fire.
- ▶ Do not open the housing or disassemble the battery.
- ▶ Do not use the battery if there is a risk it has come into contact with water.
- ▶ Only use a USB 2.0/3.0-standard-compliant 5 V power supply unit to charge the battery via the integrated USB socket type C (current consumption is max. 0.5 A).

#### Storing the battery

- ▶ If the battery is not going to be used for an extended period, set the charge level to approximately 50 % of the maximum capacity and store it at temperatures up to max. 30 °C.

### Environmental conditions

- ▶ Do not expose the product to rain, snow, liquids or moisture.

## ABOUT THIS MANUAL

This Quick Start Guide describes the most important functions of the Blue BYRD in-ear headphones

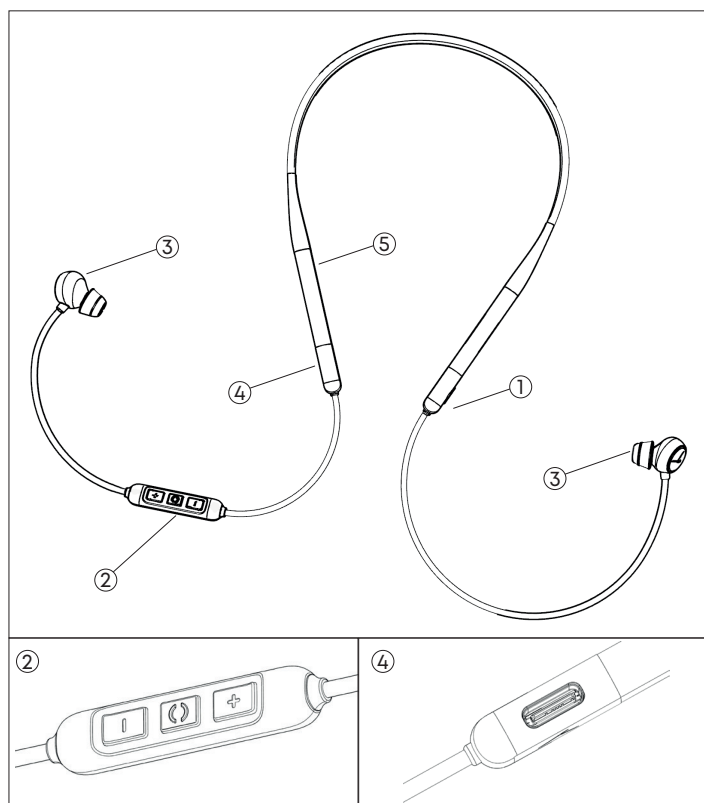
The information in this manual refers to the default settings of the software version 1.0. A newer version may be available.

- ▶ You can find information about software updates under „Software update“ on page 9.

## SUPPLIED ACCESSORIES

- In-ear headphones Blue BYRD with Bluetooth®
- Five pairs of silicone eartips (XS, S, M, L, XL).
- USB-A to USB-C cable
- Hard case for storage
- Operating instructions

## PRODUCT OVERVIEW



### 1 On/off button

### 2 Remote control

[+] / [-] Increase / lower volume

() Multifunction button

**Microphone** on the back of the remote control

### 3 Earphones with replaceable eartips

### 4 USB-C connector for cable (underneath)

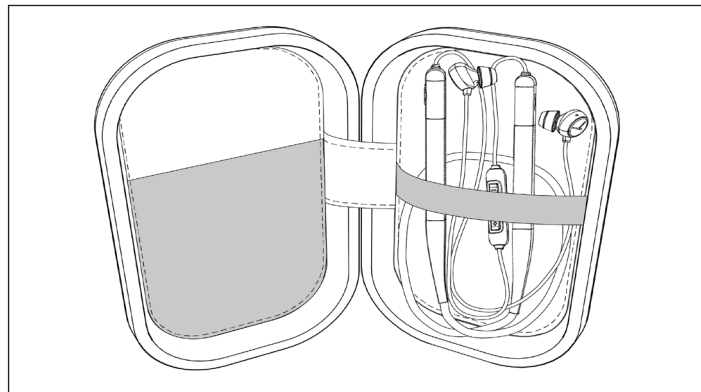
### 5 LED display (inside)

## FIRST STEPS

### Removing from packaging and storing

- ▶ When not in use and for transport, store the in-ear headphones and accessories in the hard case supplied.

This provides the best protection and prevents damage.



### Charging the battery

We recommend you use only the supplied USB cable to charge the battery.

1. Connect the in-ear headphones with the cable supplied to any standard-compliant live USB-A socket (e.g. USB power supply).
2. Remove the USB cable after charging.

### LED charging display

<b>Flashing red:</b>	Battery 0–30 % full
<b>Flashing yellow:</b>	Battery 30–70 % full
<b>Flashing green:</b>	Battery 70–99 % full
<b>Steady green:</b>	Battery 100 % full

### Remarks on the life of Li-ion batteries

- When fully charged, disconnect the USB cable from the charger and in-ear headphones.
- **CAUTION!** High temperatures, especially with a high charge level, can cause irreversible damage.
- If the battery is not used or is stored for extended periods of time, it is recommended to charge it to approx. 50 % and store it at no more than 20 °C.
- Switch off the battery-powered product after use.

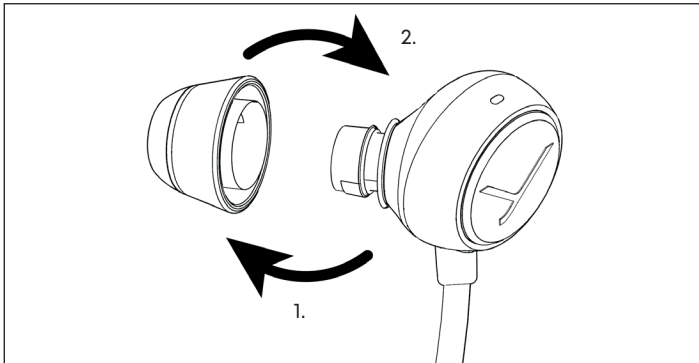


## Selecting/changing eartips

The in-ear headphones come with five different sizes of eartips. It is important to choose the right eartips for your ears to achieve a comfortable and secure fit, good ambient noise attenuation and the best possible sound.

If you are using them regularly, we recommend changing the eartips every three months. Replacement eartips made of silicone and other materials can be ordered from the beyerdynamic spare parts shop: [www.beyerdynamic.com/service/spare-parts](http://www.beyerdynamic.com/service/spare-parts)

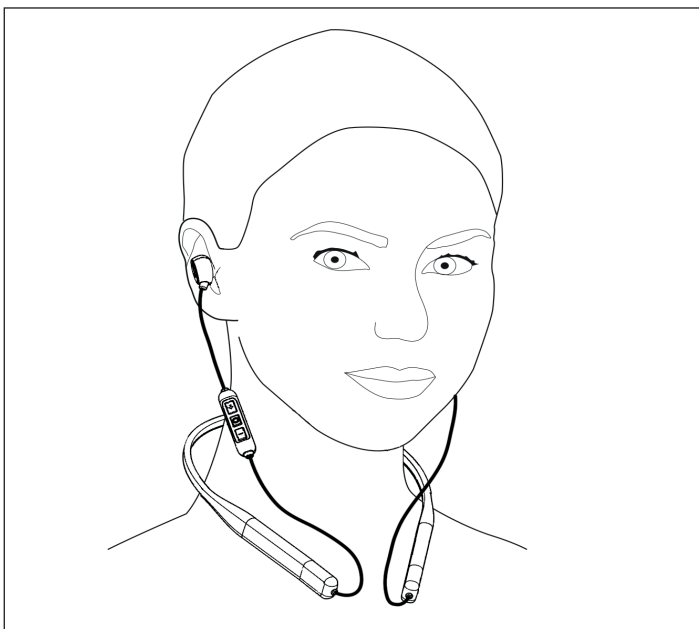
1. Carefully remove the current eartip from the earphone.
2. Attach the new eartip to the earphone.



## Inserting and wearing the earphones

- Place the neckband around the neck and insert the earphones into the left and right ear according to their markings.

The earphones should fit comfortably and securely.



## BEYERDYNAMIC MIY APP

The beyerdynamic MIY app is constantly evolving to customise your Blue BYRD to your own needs with useful functions such as MOSAYC sound personalisation, tracking statistics of your daily listening habits and other settings. If you use MOSAYC sound personalisation, your Blue BYRD will sound even better.



## SOFTWARE UPDATE

- Software updates are easily available via the MIY app.

## COMPATIBILITY WITH PLAYBACK DEVICES

The in-ear headphones are compatible with Bluetooth® playback devices that support the following profiles:

- A2DP (for audio transmission)
- HFP (for phone operation)
- HSP (voice output)
- AVRCP (for control signal transmission)

All associated functions are only available if they are supported by the playback device.

## SUPPORTED AUDIO CODECS

Within the A2DP profile, the in-ear headphones support the audio codecs SBC, AAC and aptX™ Adaptive. The best audio quality is offered by aptX™ Adaptive.

Please note that only the codecs available in the playback device can be used for audio transmission.

The playback device and in-ear headphones automatically agree on the best mutually available codec in the following order:

1. aptX™ Adaptive
2. aptX™
3. AAC
4. SBC

Most playback devices do not show which codec is actively in use.

## OPERATION

### Switching on and off

#### Switching on:

- ▶ Press the **On/Off** button for 2 s.

#### Switching off:

- ▶ Press the **On/Off** button for 4 s.



### Pairing with a playback device

Before you can use the in-ear headphones for the first time, you must pair them with your mobile phone or another Bluetooth®-enabled device. The pairing procedure may differ depending on the playback device.

- ▶ Please refer to the corresponding operating instructions of the playback device.

#### Establishing pairing:

- ✓ The in-ear headphones are switched off.

1. Press the **On/Off** button for 4 s.  
*The Bluetooth® pairing mode starts.  
The LED display flashes alternately blue and red.*
2. Activate the Bluetooth® function on the playback device and search for new devices if necessary.
3. In the Bluetooth® menu on the playback device, select "Blue Byrd (2nd gen.)" from the available devices and pair the two devices with each other.

*After a successful connection, the LED briefly flashes blue every 7 s. Each time the unit is switched on again, the units will connect as soon as they are within range of each other.*



If the Bluetooth® connection has been lost, the LED briefly flashes blue every 3 s.

#### Deleting the list of already paired devices:

- ▶ Press the **On/Off** button for longer than 10 s.  
*The list of already paired Bluetooth® devices (maximum 8) is deleted, and the in-ear headphones switch to the Bluetooth® pairing mode.*

### Multi-point operation

The in-ear headphones can be paired with up to 8 Bluetooth®-enabled devices. Active connections are possible with up to two devices at a time. However, playback of music and phone operation is only possible with one device at a time. Phone operation has priority over playback of music, i.e. playback of music is interrupted during phone calls.

#### Priority list when using the playback devices (PD):

PRI.	Profile	Playback devices (PD)
1	HFP (phone operation)	PD 1 (device used first)
2	HFP (phone operation)	PD 2 (device used second)
3	A2DP (playback of music)	PD 1 (device used first)
4	A2DP (playback of music)	PD 2 (device used second)

#### Setting up multi point:

1. Connect the in-ear headphones with the first device (see „Pairing with a playback device“ on page 10).
2. Deactivate the Bluetooth® connection on the first device.
3. Switch off the in-ear headphones.
4. Connect the in-ear headphones with the second device (see „Pairing with a playback device“ on page 10).
5. Re-activate the Bluetooth® connection with the first device that automatically connects to the in-ear headphones.  
*Once both devices are paired with the in-ear headphones, the in-ear headphones automatically connect with both devices every time they are switched on.*

#### Using multi point:

- ✓ You have connected the in-ear headphones with two devices and just activated media playback.
- ▶ Briefly press the **( )** once, to accept an incoming call.
- ✓ You have connected the in-ear headphones with two devices and have just ended a call.
- ▶ Briefly press the **( )** button once, to start the media playback that was last played.

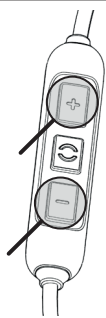


## Adjusting the volume

### Increasing/decreasing the volume:

- ▶ In stages: briefly press the **[+]** / **[-]** button.
- ▶ Continuously: press and hold the **[+]** / **[-]** button.

*A signal tone sounds when the maximum/minimum volume is reached.*



## Playing media

The functions described depend on the playback device and playback device software and may not be available.

### Start / pause playback:

- ▶ Briefly press the **( )** button once.

### Playing the next / previous track:

- ▶ Briefly press the **( )** button twice / three times.

### Fast forward / rewind:

- ▶ Briefly press the **( )** button twice / three times, then hold it down.



## Calling up the personal assistant

### Call up the personal assistant of your smartphone or tablet:

- ▶ Press the **( )** button for 2 s.



## Controlling calls

### Accepting / ending a call (1):

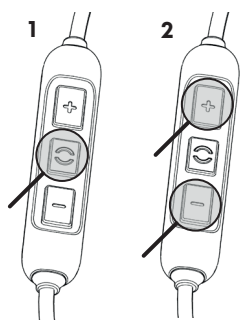
- ▶ Briefly press the **( )** button.

### Rejecting a call:

- ▶ Press the **( )** button for 2 s.

### Increasing / decreasing the call volume (2):

- ▶ Press the **[+]** / **[-]** button.



## Resetting to factory settings

All personal data is deleted if the device is reset to the factory settings!

### Reset to factory settings:

- ▶ Press the **[+]** and **[-]** button simultaneously for 4 s.



## Overview of operating functions

Function	Operation
Increase volume	▶ Press the <b>[+]</b> button
Decrease volume level	▶ Press the <b>[-]</b> button
Switch on	▶ Press the <b>On/Off</b> button for 2 s
Switch off	▶ Press the <b>On/Off</b> button for 4 s
Start/stop media playback	▶ Briefly press the <b>( )</b> button once
Jump to the next track	▶ Briefly press the <b>( )</b> button twice
Jump to the previous track	▶ Briefly press the <b>( )</b> button three times
Fast forward	▶ Briefly press the <b>( )</b> button twice and then hold
Rewind	▶ Briefly press the <b>( )</b> button three times and then hold
Accept / end a call	▶ Briefly press the <b>( )</b> button once
Reject an incoming call	▶ Press the <b>( )</b> button for 2 s
Start personal assistant (Siri, Google Assistant etc.)	▶ Press the <b>( )</b> button for 2 s
Switch voice messages on or off	▶ Press the <b>( )</b> button and the <b>[+]</b> button simultaneously for 2 s
Reset to factory settings	▶ Press the <b>[+]</b> button and the <b>[-]</b> button simultaneously for 4 s

## Overview of the LED displays

LED display	Function
Flashes red/yellow/green	Charging
Steady green light	Fully charged
Lights up once red for 1.5 s	Switch off
Flashes rapidly red	Battery almost empty
Flashes alternately blue and red	Bluetooth® pairing mode active
Flashes blue briefly every 7 s	Bluetooth® connection active
Flashes blue briefly every 3 s	Bluetooth® connection lost
Flashes blue briefly every 7 s	Media playback active
Flashes rapidly blue	Incoming call
Flashes blue briefly every 7 s	Call active
Lights up pink three times per s	Software update mode active

## Settings for best sound

To achieve the best possible Bluetooth® sound with your in-ear headphones, please observe the following practical tips:

1. Set the volume to minimum on the in-ear headphones and to maximum on the playback device.
2. Then adjust the volume only on the in-ear headphones, not on the playback device.

This applies only to playback devices that do not automatically synchronise the volume. On playback devices that automatically synchronise the volume (e.g. iPhone, iPad and various Android smartphones), the headphone volume is always identical to the volume of the playback device.

3. Deactivate any audio effects that may be present in the software of the playback device.

## HELP WITH PROBLEMS / FAQ

### In-ear headphones will not switch on

Battery is empty or almost empty. ► Charge the battery.

### No audio output.

There is no Bluetooth® connection. ► Pair in-ear headphones with the playback device.

### The in-ear headphones do not appear among the available Bluetooth® devices on the playback device.

The in-ear headphones are switched off. ► Switch on the in-ear headphones.

The in-ear headphones are not in pairing mode. ► Set the in-ear headphones to pairing mode.

There is already a Bluetooth® connection to another playback device. ► Disconnect the Bluetooth® connection to the other playback device and connect the in-ear headphones to the desired device.

### Playback volume is too low, although set to maximum on the in-ear headphones

The audio signal being played back is too quiet. ► Set playback volume on the playback device to maximum.

### The sound is harsh and the bass reproduction too low

Insufficient seal on the earphones. Try out alternative left and right eartips until sound is ideal.

### The wireless range is too low, or the connection is disrupted

There is interference with other devices. ► Keep your distance from WLAN routers and microwave ovens.

► Do not stand between playback device and in-ear headphones.

## BATTERY LIFE

- Disconnect the USB connection cable from the charger and in-ear headphones when battery is fully charged.
- High temperatures, especially with a high charge level, can cause irreversible damage.
- For battery storage, see Seite 7.
- Switch off the battery-powered product after use.

## CLEANING AND MAINTENANCE

- Use a soft cloth moistened with alcohol cleaner to clean all parts of the in-ear headphones. Make sure that no liquid enters the housing or the transducer.
- Do not use cleaners containing solvents, as these can damage the surface.

## SPARE PARTS

Spare parts for the in-ear headphones can be found at [www.beyerdynamic.com/service](http://www.beyerdynamic.com/service).

## DISPOSAL

This symbol on the product, in the user manual or on the packaging means that your electrical and electronic devices must be disposed of separately from household waste at the end of their life cycle. For further information, please contact your local authorities or the dealer where you purchased the product.



- ▶ Always dispose of used batteries or devices with batteries in accordance with the applicable regulations. Returning batteries is free of charge.
- ▶ Please dispose of discharged batteries only.

## EU DECLARATION OF CONFORMITY

beyerdynamic hereby declares that this radio transmission device complies with the EU Directive 2014/53/EU.

- ▶ The full text of the EU declaration of conformity can be found on the Internet at: [www.beyerdynamic.com/cod](http://www.beyerdynamic.com/cod)

## TECHNICAL DATA

Bluetooth® frequency range	2.400–2.4835 GHz
Transmitting power	10 dBm
Operating temperature range	-10 to +60 °C
Charging temperature range	0 to +45 °C

- ▶ You can find more detailed information about the technical data online at: [www.beyerdynamic.com/blue-byrd](http://www.beyerdynamic.com/blue-byrd)

## PRODUCT REGISTRATION

Using the serial number, you can register your in-ear headphones online at [www.beyerdynamic.com](http://www.beyerdynamic.com).

## WARRANTY CONDITIONS

beyerdynamic provides a limited warranty for the original beyerdynamic product you have purchased.

- ▶ You can find detailed information about beyerdynamic's warranty conditions online at <https://global.beyerdynamic.com/service/warranty>

## FCC / IC REGULATION

**FCC ID: OSDPIE21**

**Canada IC: 3628C-PIE21**

### NOTICE:

This device complies with Part 15 of the FCC Rules [and with Industry Canada licence-exempt RSS standard(s)]. Operation is subject to the following two conditions:

1. this device may not cause harmful interference, and
2. this device must accept any interference received, including interference that may cause undesired operation.

Le présent appareil est conforme aux CNR d'Industrie Canada applicables aux appareils radio exempts de licence. L'exploitation est autorisée aux deux conditions suivantes:

1. l'appareil ne doit pas produire de brouillage, et
2. l'utilisateur de l'appareil doit accepter tout brouillage radioélectrique subi, même si le brouillage est susceptible d'en compromettre le fonctionnement.

### NOTICE:

Changes or modifications made to this equipment not expressly approved by beyerdynamic may void the FCC authorization to operate this equipment.

### Radiofrequency radiation exposure information:

For body worn operation, this phone has been tested and meets the FCC RF exposure guidelines when used with the beyerdynamic accessories supplied or designated for this product. Use of other accessories may not ensure compliance with FCC RF exposure guidelines.

**Note:** This equipment has been tested and found to comply with the limits for a Class B digital device, pursuant to part 15 of the FCC Rules. These limits are designed to provide reasonable protection against harmful interference in a residential installation. This equipment generates, uses and can radiate radio frequency energy and, if not installed and used in accordance with the instructions, may cause harmful interference to radio communications. However, there is no guarantee that interference will not occur in a particular installation.

If this equipment does cause harmful interference to radio or television reception, which can be determined by turning the equipment off and on, the user is encouraged to try to correct the interference by one or more of the following measures:

- Reorient or relocate the receiving antenna.
- Increase the separation between the equipment and receiver.
- Connect the equipment to an outlet on a circuit different from that to which the receiver is connected.
- Consult the dealer or an experienced radio/TV technician for help.

**CAUTION**

Changes or modifications not expressly approved by the manufacturer responsible for compliance could void the user's authority to operate the equipment.

Made in China

This device is granted pursuant to the Japanese Radio Law (電波法) and the Japanese Telecommunications Business Law (電気通信事業法).

This device should not be modified (otherwise the granted designation number will become invalid).

# **Blue BYRD**

## **2. Generation**

**IN-EAR-KOPFHÖRER**

BEDIENUNGSANLEITUNG

# INHALT

<b>SICHERHEITSHINWEISE</b> .....	<b>3</b>	<b>HILFE BEI PROBLEMEN / FAQ</b> .....	<b>8</b>
Bestimmungsgemäßer Gebrauch .....	3	<b>LEBENSDAUER VON AKKUS</b> .....	<b>8</b>
Einstellen der Lautstärke .....	3	<b>REINIGUNG UND PFLEGE</b> .....	<b>8</b>
Reduzierung der Außenwahrnehmung .....	3	<b>ERSATZTEILE</b> .....	<b>8</b>
Veränderte akustische Wahrnehmung .....	3	<b>ENTSORGUNG</b> .....	<b>8</b>
Reinigung .....	3	<b>EU-KONFORMITÄTSERKLÄRUNG</b> .....	<b>8</b>
Gefahr von Verschlucken .....	3	<b>TECHNISCHE DATEN</b> .....	<b>9</b>
Verwenden der Akkus .....	3	<b>PRODUKTREGISTRIERUNG</b> .....	<b>9</b>
Umweltbedingungen .....	3	<b>GARANTIEBESTIMMUNGEN</b> .....	<b>9</b>
<b>ZU DIESER ANLEITUNG</b> .....	<b>4</b>		
<b>LIEFERUMFANG</b> .....	<b>4</b>		
<b>PRODUKTÜBERSICHT</b> .....	<b>4</b>		
<b>ERSTE SCHRITTE</b> .....	<b>4</b>		
Aus der Verpackung nehmen und verstauen .....	4		
Akku aufladen .....	4		
Ohrpasstücke auswählen/wechseln .....	5		
Ohrhörer einsetzen und tragen .....	5		
<b>BEYERDYNAMIC MIY APP</b> .....	<b>5</b>		
<b>SOFTWARE-UPDATE</b> .....	<b>5</b>		
<b>KOMPATIBILITÄT ZU ABSPIELGERÄTEN</b> .....	<b>5</b>		
<b>UNTERSTÜTZTE AUDIO-CODECS</b> .....	<b>5</b>		
<b>BEDIENUNG</b> .....	<b>6</b>		
Ein- und ausschalten .....	6		
Mit einem Abspielgerät koppeln (Pairing) .....	6		
Multi-Point-Betrieb .....	6		
Lautstärke einstellen .....	7		
Medien wiedergeben .....	7		
Persönlichen Assistenten aufrufen .....	7		
Anrufe steuern .....	7		
Auf Werkseinstellungen zurücksetzen .....	7		
Übersicht der Bedienfunktionen .....	7		
Übersicht der LED-Anzeigen .....	7		
Einstellungen für besten Klang .....	8		



Vielen Dank für Ihr Vertrauen und dass Sie sich für den Kauf des In-Ear-Kopfhörers Blue BYRD entschieden haben.

## SICHERHEITSHINWEISE

- ▶ Vor dem Benutzen des Produkts, diese Anleitung sorgfältig und vollständig durchlesen.
- ▶ Alle gegebenen Hinweise beachten, insbesondere die zum sicheren Gebrauch des Produkts.
- ▶ Die Firma beyerdynamic GmbH & Co. KG übernimmt keine Haftung für Schäden am Produkt oder Verletzungen von Personen aufgrund unachtsamer, unsachgemäßer, falscher oder nicht dem vom Hersteller angegebenen Zweck entsprechender Verwendung des Produkts.
- ▶ Das Produkt nicht verwenden, wenn es defekt ist.

## Bestimmungsgemäßer Gebrauch

Benutzen Sie das Produkt nicht anders als in dieser Produkthanleitung beschrieben. beyerdynamic übernimmt keine Haftung für Schäden am Produkt oder Verletzungen von Personen aufgrund unachtsamer, unsachgemäßer, falscher oder nicht dem vom Hersteller angegebenen Zweck entsprechender Verwendung des Produkts.

beyerdynamic haftet nicht für Schäden an USB-Geräten, die nicht den USB-Spezifikationen entsprechen.

beyerdynamic haftet nicht für Schäden aus Verbindungsabbrüchen wegen leerer oder zu alter Akkus oder Überschreiten des Bluetooth®-Sendebereichs.

Beachten Sie auch die jeweiligen länderspezifischen Vorschriften vor Inbetriebnahme.

## Einstellen der Lautstärke



Hohe Lautstärken und zu lange Hörzeiten können das Gehör dauerhaft schädigen. Da In-Ear-Kopfhörer direkt im Gehörgang liegen, können sie um 6 – 9 dB lauter werden als klassische Kopfhörer, was das Risiko auf Gehörschäden erhöht.

- ▶ Vor dem Einsetzen der Ohrhörer die Lautstärke auf Minimum einstellen. Erst nach Einsetzen der Ohrhörer die Lautstärke erhöhen.
- ▶ Den In-Ear-Kopfhörer nicht über längere Zeit bei hoher Lautstärke verwenden. Beim Hören und gewöhnlichem Sprechen mit In-Ear-Kopfhörer sollte die eigene Stimme noch wahrnehmbar sein.
- ▶ Bei Tinnitus, die Lautstärke reduzieren. Gegebenenfalls einen Arzt konsultieren.

Mit der beyerdynamic MIY-App können Sie Ihren Bluetooth®-Kopfhörer personalisieren. Die „Statistik“-Funktion der App zeichnet den Schalldruck auf, dem Ihre Ohren über die Zeit hinweg ausgesetzt sind. Sie bezieht sich allerdings nur auf den Schalldruck, der über die Lautsprecher des Kopfhörers entsteht und nicht von externen Lärmquellen kommt.

## Reduzierung der Außenwahrnehmung

In-Ear-Kopfhörer reduzieren die akustische Außenwahrnehmung drastisch. Die Verwendung von In-Ear-Kopfhörern im Straßenverkehr birgt großes Gefährdungspotenzial. Das Gehör des Benutzers darf auf keinen Fall so stark beeinträchtigt werden, dass die Verkehrssicherheit gefährdet ist.

- ▶ Die In-Ear-Kopfhörer nicht im Aktionsbereich von möglicherweise gefährlichen Maschinen und Arbeitsgeräten verwenden.
- ▶ Den Gebrauch von In-Ear-Kopfhörern in Situationen vermeiden, in denen das Hörvermögen nicht beeinträchtigt werden darf. Insbesondere im Straßenverkehr, beim Überqueren eines Bahnübergangs oder auf einer Baustelle.

## Veränderte akustische Wahrnehmung

Für viele Menschen ist das Tragen von In-Ear-Kopfhörern gewöhnungsbedürftig, da sich die akustische Wahrnehmung der eigenen Stimme und des Körpers sowie auftretende Innenohrgeräusche beim Laufen von der „normalen“ Situation ohne In-Ear-Kopfhörer unterscheiden. Diese zunächst fremdartige Empfindung verringert sich jedoch gewöhnlich nach einiger Zeit des Tragens.

## Reinigung

Durch Verschmutzung der Ohrpassstücke und Bildung eines feucht-warmen Klimas im Gehörgang kann ein erhöhter Keimpegel das Risiko für eine Gehörgangsinfektion steigern.

- ▶ Die Ohrpassstücke regelmäßig reinigen.

## Gefahr von Verschlucken

- ▶ Kleinteile wie Produkt-, Verpackungs- und Zubehörteile von Kindern und Haustieren fernhalten. Bei Verschlucken besteht Erstickungsgefahr!

## Verwenden der Akkus

### Gefahr durch Hitze, Wasser und mechanische Belastung

Bei zu großer Hitze, Wasser zu hoher mechanischer Belastung besteht die Gefahr von Explosion, Hitze-, Feuer-, Rauch- oder Gasentwicklung. Verletzungen und irreversiblen Schäden am Akku können die Folge sein.

- ▶ Den Akku (Akkupack oder eingebauter Akku) nicht übermäßiger Hitze, direkter Sonneneinstrahlung oder Feuer aussetzen.
- ▶ Nicht das Gehäuse öffnen und den Akku nicht zerlegen.
- ▶ Den Akku nicht verwenden, falls er in Kontakt mit Wasser gekommen sein könnte.
- ▶ Zum Laden des Akkus über die integrierte USB-Buchse Typ C nur ein USB 2.0/3.0 standardkonformes 5 V-Netzteil verwenden (Stromaufnahme beträgt max. 0,5 A).

### Lagerung des Akkus

- ▶ Sollte der Akku längere Zeit nicht verwendet werden, den Ladezustand auf ungefähr 50 % der maximalen Kapazität einstellen und bei Temperaturen bis max. 30 °C lagern.

## Umweltbedingungen

- ▶ Das Produkt weder Regen noch Schnee, Flüssigkeiten oder Feuchtigkeit aussetzen.

## ZU DIESER ANLEITUNG

Diese Anleitung beschreibt die wichtigsten Funktionen des In-Ear-Kopfhörers Blue BYRD

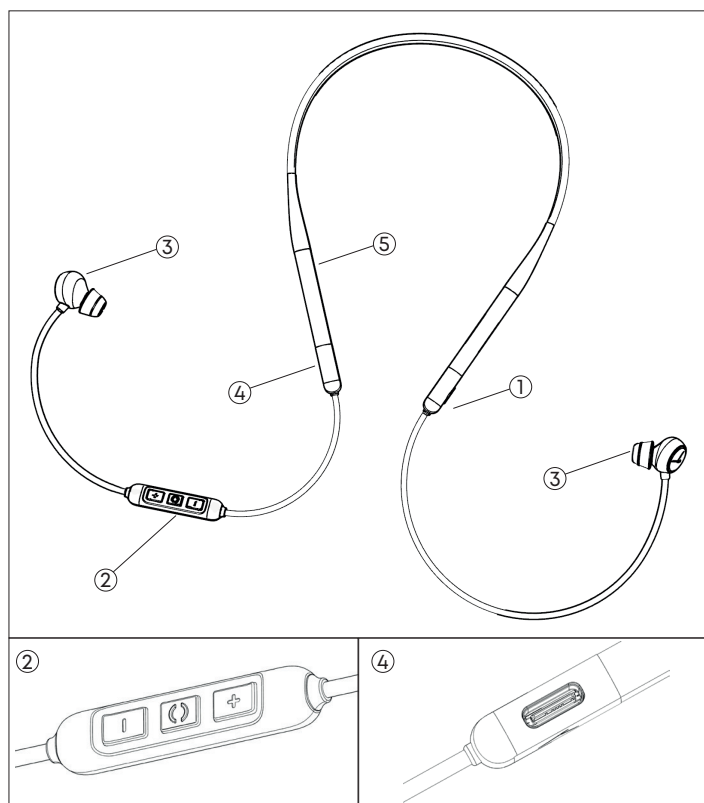
Die Angaben in dieser Anleitung beziehen sich auf die Standardeinstellungen der Software-Version 1.0. Möglicherweise ist eine neuere Version verfügbar.

- Hinweise zum Software-Update finden Sie unter „Software-Update“ auf Seite 19.

## LIEFERUMFANG

- In-Ear-Kopfhörer Blue BYRD mit Bluetooth®
- Fünf Paar Ohrpasstücke aus Silikon (XS, S, M, L, XL).
- Kabel USB-A auf USB-C
- Hardcase zur Aufbewahrung
- Bedienungsanleitung

## PRODUKTÜBERSICHT



### 1 Taste Ein/Aus

### 2 Fernbedienung

[+] / [-] Lautstärke erhöhen / verringern

() Multifunktionstaste

Mikrofon auf der Rückseite der Fernbedienung

### 3 Ohrhörer mit austauschbaren Ohrpasstücken

### 4 USB-C-Anschluss für Kabel (Unterseite)

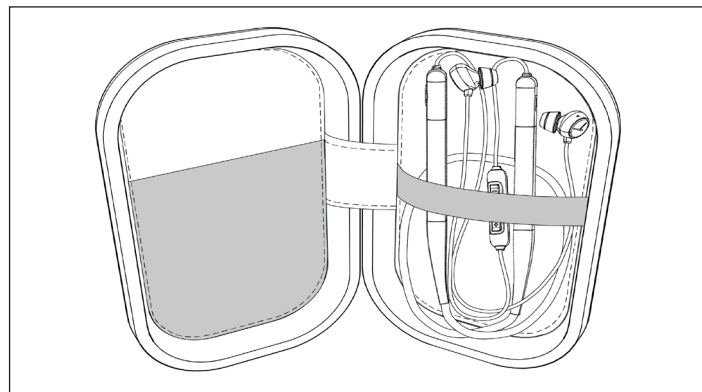
### 5 LED-Anzeige (Innenseite)

## ERSTE SCHRITTE

### Aus der Verpackung nehmen und verstauen

- Verstauen Sie bei Nichtgebrauch und zum Transport den In-Ear-Kopfhörer und das Zubehör im mitgelieferten Hardcase.

Sie sorgen dadurch für besten Schutz und vermeiden Beschädigungen.



### Akku aufladen

Wir empfehlen, zum Aufladen des Akkus nur das mitgelieferte USB-Kabel zu verwenden.

1. In-Ear-Kopfhörer mit dem mitgelieferten Kabel an eine beliebige standardkonforme spannungsführende USB-A-Buchse (z. B. USB-Netzteil) anschließen.
2. Nach dem Ladevorgang das USB-Kabel entfernen.

### LED-Anzeige des Ladezustands:

**Blinkt rot:** Akku 0 – 30 % voll

**Blinkt gelb:** Akku 30 – 70 % voll

**Blinkt grün:** Akku 70 – 99 % voll

**Leuchtet grün:** Akku 100 % voll

### Hinweise zur Lebensdauer von Li-Ion-Akkus

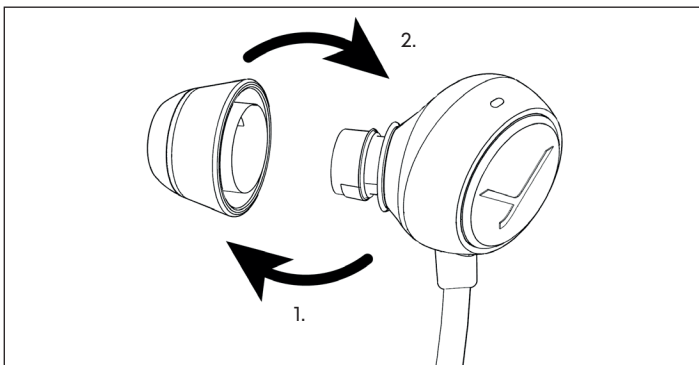
- Nach vollständigem Laden das USB-Kabel vom Ladegerät und In-Ear-Kopfhörer trennen.
- **ACHTUNG!** Hohe Temperaturen, vor allem mit hohem Ladezustand, können zu irreversiblen Schäden führen.
- Wird der Akku längere Zeit nicht verwendet bzw. gelagert, empfiehlt es sich, den Akku auf ungefähr 50 % der Ladung zu bringen und bei Temperaturen bis max. 20 °C zu lagern.
- Nach dem Gebrauch das akkugespeiste Produkt ausschalten.

## Ohrpasstücke auswählen/wechseln

Im Lieferumfang des In-Ear-Kopfhörers befinden sich Ohrpasstücke in fünf verschiedenen Größen. Die Auswahl der für Sie passenden Ohrpasstücke ist wichtig, um einen bequemen und sicheren Sitz, gute Außengeräuschkämpfung und einen möglichst guten Klang zu erreichen.

Bei regelmäßigem Gebrauch empfehlen wir, die Ohrpasstücke alle drei Monate zu wechseln. Ersatz-Ohrpasstücke aus Silikon und anderen Materialien können über den Ersatzteil-Shop von beyerdynamic bestellt werden: [www.beyerdynamic.com/service/spare-parts](http://www.beyerdynamic.com/service/spare-parts)

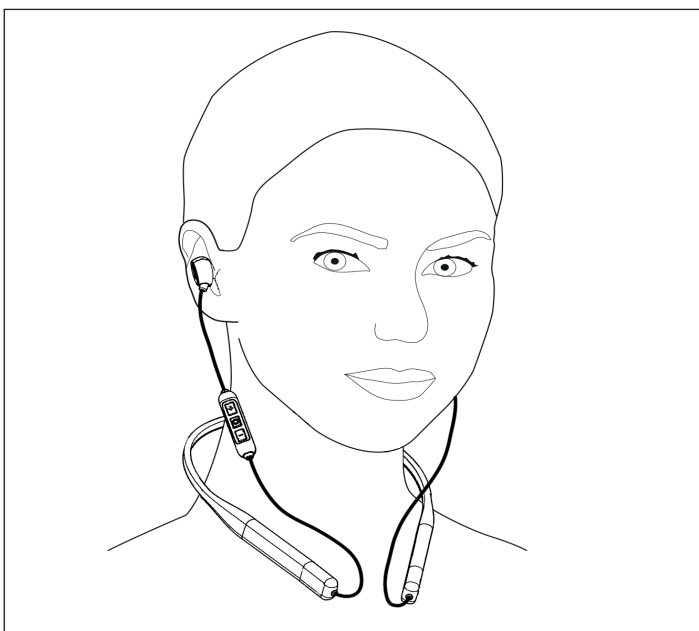
1. Bereits montiertes Ohrpasstück vorsichtig vom Ohrhörer abziehen.
2. Neues Ohrpasstück am Ohrhörer befestigen.



## Ohrhörer einsetzen und tragen

- Bügel um den Nacken legen und beide Ohrhörer entsprechend ihrer Kennzeichnung in das linke und rechte Ohr einsetzen.

Die Ohrhörer sollten bequem und sicher sitzen.



## BEYERDYNAMIC MIY APP

Die MIY App von beyerdynamic wird stetig weiterentwickelt, um Ihren Blue BYRD durch nützliche Funktionen wie die MOSAYC Klang-Personalisierung, die Tracking-Statistik Ihrer täglichen Hörgewohnheiten und andere Einstellungen an Ihre persönlichen Bedürfnisse anzupassen. Wenn Sie die MOSAYC Klang-Personalisierung verwenden, werden Sie erleben, dass Ihr Blue BYRD noch besser klingt.



## SOFTWARE-UPDATE

- Software-Updates stehen Ihnen komfortabel über die MIY App zur Verfügung.

## KOMPATIBILITÄT ZU ABSPIELGERÄTEN

Der In-Ear-Kopfhörer ist mit Bluetooth®-Abspielgeräten kompatibel, die folgende Profile unterstützen:

- A2DP (für Audioübertragung)
- HFP (für Telefonie)
- HSP (Sprachausgabe)
- AVRCP (für die Übertragung von Steuersignalen)

Die damit verbundenen Funktionen stehen nur zur Verfügung, wenn sie vom Abspielgerät unterstützt werden.

## UNTERSTÜTZTE AUDIO-CODECS

Innerhalb des Profils A2DP unterstützt der In-Ear-Kopfhörer die Audio-Codex SBC, AAC und aptX™ Adaptive. Die beste Audioqualität bietet aptX™ Adaptive.

Es können nur solche Codex für die Audioübertragung benutzt werden, die im Abspielgerät vorhanden sind.

Abspielgerät und In-Ear-Kopfhörer verständigen sich automatisch auf den besten gemeinsam verfügbaren Codec in folgender Reihenfolge:

1. aptX™ Adaptive
2. aptX™
3. AAC
4. SBC

Die meisten Abspielgeräte zeigen nicht an, welcher Codec aktiv in Verwendung ist.

## BEDIENUNG

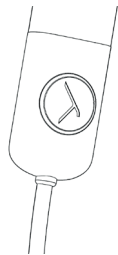
### Ein- und ausschalten

#### Einschalten:

- ▶ Taste **Ein/Aus** 2 s drücken.

#### Ausschalten:

- ▶ Taste **Ein/Aus** 4 s drücken.



### Mit einem Abspielgerät koppeln (Pairing)

Bevor Sie den In-Ear-Kopfhörer erstmalig verwenden können, müssen Sie ihn mit Ihrem Mobiltelefon oder einem anderen Bluetooth®-fähigen Gerät koppeln. Das Kopplungsverfahren kann sich zwischen den verschiedenen Abspielgeräten unterscheiden.

- ▶ Bitte beachten Sie die entsprechende Bedienungsanleitung des Abspielgerätes.

#### Kopplung herstellen:

- ✓ Der In-Ear-Kopfhörer ist ausgeschaltet.

1. Taste **Ein/Aus** 4 s drücken.  
*Der Bluetooth®-Kopplungsmodus startet.  
Die LED-Anzeige blinkt abwechselnd blau und rot.*
2. Bluetooth®-Funktion am Abspielgerät aktivieren und ggf. nach neuen Geräten suchen lassen.
3. Im Bluetooth®-Menü des Abspielgerätes unter den verfügbaren Geräten „Blue Byrd (2nd gen.)“ auswählen und beide Geräte miteinander koppeln.

*Nach der erfolgreichen Verbindung blinkt die LED alle 7 s kurz blau. Bei jedem weiteren Einschalten verbinden sich beide Geräte, sobald sie in Reichweite sind.*



Wenn die Bluetooth®-Verbindung verloren wurde, blinkt die LED alle 3 s kurz blau.

#### Liste bereits gekoppelter Geräte löschen:

- ▶ Taste **Ein/Aus** länger als 10 s drücken.  
*Die Liste bereits gekoppelter Bluetooth®-Geräte (maximal 8) wird gelöscht und der In-Ear-Kopfhörer wechselt in den Bluetooth®-Kopplungsmodus.*

### Multi-Point-Betrieb

Der In-Ear-Kopfhörer kann mit bis zu 8 Bluetooth®-fähigen Geräten gekoppelt werden. Mit maximal zwei Geräten ist gleichzeitig eine aktive Verbindung möglich. Musikwiedergabe und Telefonie ist jedoch nur mit einem Gerät gleichzeitig möglich. Telefonie hat dabei Priorität vor Musikwiedergabe, d. h. bei einem Anruf wird die Musikwiedergabe unterbrochen.

#### Prioritätenliste bei der Benutzung der Abspielgeräte (AG):

Prio.	Profil	Abspielgeräte (AG)
1	HFP (Telefonie)	AG 1 (zuerst verbundenes Gerät)
2	HFP (Telefonie)	AG 2 (als zweites verbundenes Gerät)
3	A2DP (Musikwiedergabe)	AG 1 (zuerst verbundenes Gerät)
4	A2DP (Musikwiedergabe)	AG 2 (als zweites verbundenes Gerät)

#### Multi-Point einstellen:

1. In-Ear-Kopfhörer mit dem ersten Gerät verbinden (siehe „Mit einem Abspielgerät koppeln (Pairing)“ auf Seite 20).
2. Bluetooth®-Verbindung am ersten Gerät deaktivieren.
3. In-Ear-Kopfhörer ausschalten.
4. In-Ear-Kopfhörer mit dem zweiten Gerät verbinden (siehe „Mit einem Abspielgerät koppeln (Pairing)“ auf Seite 20).
5. Bluetooth®-Verbindung des ersten Gerätes wieder aktivieren, das sich automatisch mit dem In-Ear-Kopfhörer verbindet.  
*Wenn beide Geräte mit dem In-Ear-Kopfhörer gekoppelt sind, verbindet sich der In-Ear-Kopfhörer automatisch mit beiden Geräten, bei jedem weiteren Einschalten.*

#### Multi-Point verwenden:

- ✓ Sie haben den In-Ear-Kopfhörer mit zwei Geräten verbunden und gerade die Medienwiedergabe aktiviert.
- ▶ Taste **( )** 1x kurz drücken, um einen eingehenden Anruf anzunehmen.
- ✓ Sie haben den In-Ear-Kopfhörer mit zwei Geräten verbunden und gerade einen Anruf aufgelegt.
- ▶ Taste **( )** 1x kurz drücken, um die Medienwiedergabe zu starten, die zuletzt abgespielt wurde.

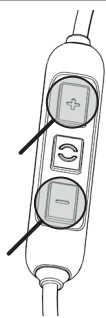


## Lautstärke einstellen

### Lautstärke erhöhen/reduzieren:

- ▶ Schrittweise: Taste **[+]** / **[-]** kurz drücken.
- ▶ Kontinuierlich: Taste **[+]** / **[-]** gedrückt halten.

*Ein Signalton erklingt, wenn die maximale/ minimale Lautstärke erreicht ist.*



## Medien wiedergeben

Die beschriebenen Funktionen hängen vom verwendeten Abspielgerät sowie der Player-Software ab und stehen eventuell nicht zur Verfügung.

### Wiedergabe starten / pausieren:

- ▶ Taste **( )** 1x kurz drücken.

### Nächsten / vorherigen Titel abspielen:

- ▶ Taste **( )** 2x / 3x kurz drücken.

### Vorspulen / zurückspulen:

- ▶ Taste **( )** 2x / 3x kurz drücken, dann gedrückt halten.



## Persönlichen Assistenten aufrufen

### Persönlichen Assistenten Ihres Smartphones oder Tablets aufrufen:

- ▶ Taste **( )** 2 s drücken.



## Anrufe steuern

### Anruf annehmen / beenden (1):

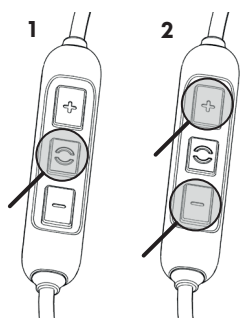
- ▶ Taste **( )** kurz drücken.

### Anruf ablehnen:

- ▶ Taste **( )** 2 s drücken.

### Anruflautstärke erhöhen / reduzieren (2):

- ▶ Taste **[+]** / **[-]** drücken.



## Auf Werkseinstellungen zurücksetzen

Beim Zurücksetzen auf die Werkseinstellungen werden alle persönlichen Daten gelöscht!

### Auf Werkseinstellungen zurücksetzen:

- ▶ Taste **[+]** und Taste **[-]** gleichzeitig 4 s drücken.



## Übersicht der Bedienfunktionen

Funktion	Bedienung
Lautstärke erhöhen	▶ Taste <b>[+]</b> drücken
Lautstärke verringern	▶ Taste <b>[-]</b> drücken
Einschalten	▶ Taste <b>Ein/Aus</b> 2 s drücken
Ausschalten	▶ Taste <b>Ein/Aus</b> 4 s drücken
Medienwiedergabe starten/stoppen	▶ Taste <b>( )</b> 1x kurz drücken
Zum nächsten Titel springen	▶ Taste <b>( )</b> 2x kurz drücken
Zum vorigen Titel springen	▶ Taste <b>( )</b> 3x kurz drücken
Vorwärts spulen	▶ Taste <b>( )</b> 2x kurz drücken und danach halten
Rückwärts spulen	▶ Taste <b>( )</b> 3x kurz drücken und danach halten
Anruf annehmen/auflegen	▶ Taste <b>( )</b> 1x kurz drücken
Eingehenden Anruf ablehnen	▶ Taste <b>( )</b> 2 s drücken
Persönlichen Assistenten starten (Siri, Google Assistant etc.)	▶ Taste <b>( )</b> 2 s drücken
Sprachansagen ein- oder ausschalten	▶ Taste <b>( )</b> und gleichzeitig Taste <b>[+]</b> 2 s lang drücken
Auf Werkseinstellungen zurücksetzen	▶ Taste <b>[+]</b> und gleichzeitig Taste <b>[-]</b> 4 s lang drücken

## Übersicht der LED-Anzeigen

LED-Anzeige	Funktion
Blinkt rot/gelb/grün	Aufladen
Leuchtet dauerhaft grün	Vollständig aufgeladen
Leuchtet einmal 1,5 s rot	Ausschalten
Blinkt schnell rot	Akku ist fast leer
Blinkt abwechselnd blau und rot	Bluetooth®-Verbindungsmodus aktiv
Blinkt kurz blau alle 7 s	Bluetooth®-Verbindung aktiv

LED-Anzeige	Funktion
Blinkt kurz blau alle 3 s	Bluetooth®-Verbindung verloren
Blinkt kurz blau alle 7 s	Medienwiedergabe aktiv
Blinkt schnell blau	Eingehender Anruf
Blinkt kurz blau alle 7 s	Anruf aktiv
Leuchtet 3 x rosa pro s	Software Update-Modus aktiv

## Einstellungen für besten Klang

Um mit dem In-Ear-Kopfhörer über Bluetooth® Ihren bestmöglichen Klang zu erzielen, sollten Sie die folgenden praktischen Hinweise berücksichtigen:

1. Lautstärke am In-Ear-Kopfhörer auf Minimum einstellen, am Abspielgerät auf Maximum.
2. Lautstärke dann nur noch am In-Ear-Kopfhörer regulieren, nicht mehr am Abspielgerät.

Dies gilt nur für Abspielgeräte, welche die Lautstärke nicht automatisch synchronisieren. Bei Abspielgeräten, welche die Lautstärke automatisch synchronisieren (z.B. iPhone, iPad, diverse Android-Smartphones), ist die Kopfhörerlautstärke immer identisch mit der Lautstärke des Abspielgerätes.

3. Möglicherweise in der Software des Abspielgerätes vorhandene Audio-Effekte deaktivieren.

## HILFE BEI PROBLEMEN / FAQ

### In-Ear-Kopfhörer lässt sich nicht einschalten

Akku ist leer oder nur noch schwach geladen. ▶ Akku laden.

### Es wird kein Audio ausgegeben.

Es besteht keine Bluetooth®-Verbindung. ▶ In-Ear-Kopfhörer mit dem Abspielgerät verbinden.

### Der In-Ear-Kopfhörer erscheint nicht in den verfügbaren Bluetooth®-Geräten im Abspielgerät.

Der In-Ear-Kopfhörer ist ausgeschaltet. ▶ In-Ear-Kopfhörer einschalten.

Der In-Ear-Kopfhörer ist nicht im Verbindungsmodus. ▶ In-Ear-Kopfhörer in den Verbindungsmodus setzen.

Es besteht bereits eine Bluetooth®-Verbindung zu einem anderen Abspielgerät. ▶ Bluetooth®-Verbindung zum anderen Abspielgerät trennen und den In-Ear-Kopfhörer mit dem gewünschten Gerät verbinden.

### Die Wiedergabe ist zu leise, obwohl am In-Ear-Kopfhörer maximal eingestellt ist

Das zugespielte Audiosignal ist zu leise. ▶ Wiedergabelautstärke am Abspielgerät auf Maximum stellen.

### Der Klang ist scharf und die Basswiedergabe zu gering

Die Abdichtung der Ohrhörer reicht nicht aus. Passende Ohrpasstücke links und rechts wählen, bis der Klang ideal ist.

### Die kabellose Reichweite ist zu gering oder es kommt zu Verbindungsabbrüchen

- Es bestehen Störungen mit anderen Geräten. ▶ Abstand zu WLAN-Routern und Mikrowellengeräten halten.
- ▶ Sich nicht zwischen Abspielgerät und In-Ear-Kopfhörer aufhalten.

## LEBENSDAUER VON AKKUS

- Nach vollständigem Laden das USB-Anschlusskabel vom Ladegerät und In-Ear-Kopfhörer trennen.
- Hohe Temperaturen, vor allem mit hohem Ladezustand, können zu irreversiblen Schäden führen.
- Lagerung der Akkus siehe Seite 17.
- Nach dem Gebrauch das akkugespeiste Produkt ausschalten.

## REINIGUNG UND PFLEGE

- Zum Reinigen aller Teile des In-Ear-Kopfhörers ein weiches mit Alkoholreiniger befeuchtetes Tuch verwenden. Darauf achten, dass keine Flüssigkeit in das Gehäuse bzw. in den Schallwandler dringt.
- Keine Lösungsmittelhaltigen Reiniger verwenden, da diese die Oberfläche beschädigen können.

## ERSATZTEILE

Ersatzteile für den In-Ear-Kopfhörer finden Sie unter [www.beyerdynamic.com/service](http://www.beyerdynamic.com/service).

## ENTSORGUNG

Dieses Symbol auf dem Produkt, in der Bedienungsanleitung oder auf der Verpackung bedeutet, dass Ihre elektrischen und elektronischen Geräte am Ende ihrer Lebensdauer gesondert vom Hausmüll entsorgt werden müssen. Für weitere Informationen wenden Sie sich bitte an die örtlichen Behörden oder an den Händler, bei dem Sie das Produkt erworben haben.



- ▶ Entsorgen Sie benutzte Batterien oder Geräte mit Batterien immer gemäß den geltenden Vorschriften. Die Rückgabe ist kostenlos.
- ▶ Bitte entsorgen Sie nur entladene Batterien.

## EU-KONFORMITÄTSERKLÄRUNG

Hiermit erklärt beyerdynamic, dass das Funkübertragungsgerät die EU-Richtlinie 2014/53/EU erfüllt.

- ▶ Den vollständigen Text der EU-Konformitätserklärung finden Sie im Internet unter: [www.beyerdynamic.com/cod](http://www.beyerdynamic.com/cod)

## TECHNISCHE DATEN

Bluetooth®-Frequenzbereich	2,400 – 2,4835 GHz
Sendeleistung	10 dBm
Betriebstemperaturbereich	-10 bis +60 °C
Ladetemperaturbereich	0 bis +45 °C

- Nähere Angaben zu den technischen Daten finden Sie im Internet unter: [www.beyerdynamic.com/blue-byrd](http://www.beyerdynamic.com/blue-byrd)

## PRODUKTREGISTRIERUNG

Im Internet unter [www.beyerdynamic.com](http://www.beyerdynamic.com) können Sie Ihren In-Ear-Kopfhörer unter Angabe der Seriennummer registrieren.

## GARANTIEBESTIMMUNGEN

beyerdynamic gewährt eine eingeschränkte Garantie für das von Ihnen gekaufte original beyerdynamic-Produkt.

- Ausführliche Hinweise zu den Garantiebestimmungen von beyerdynamic finden Sie im Internet unter [www.beyerdynamic.de/service/garantie](http://www.beyerdynamic.de/service/garantie)





# **Blue BYRD** **2<sup>e</sup> génération**

**ÉCOUTEURS INTRA-AURICULAIRES**

MODE D'EMPLOI

Français

**beyerdynamic**

# CONTENU

<b>CONSIGNES DE SÉCURITÉ</b> .....	<b>27</b>	<b>AIDE EN CAS DE PROBLÈMES / FOIRE AUX QUESTIONS</b> ...	<b>33</b>
Utilisation conforme à la destination prévue .....	27	<b>DURÉE DE VIE DES BATTERIES</b> .....	<b>33</b>
Réglage du niveau sonore .....	27	<b>NETTOYAGE ET ENTRETIEN</b> .....	<b>33</b>
Réduction de la perception acoustique des bruits ambiants .....	27	<b>PIÈCES DE RECHANGE</b> .....	<b>33</b>
Perception acoustique modifiée .....	27	<b>MISE AU REBUT</b> .....	<b>33</b>
Nettoyage .....	27	<b>DÉCLARATION DE CONFORMITÉ UE</b> .....	<b>33</b>
Risque d'ingestion .....	27	<b>CARACTÉRISTIQUES TECHNIQUES</b> .....	<b>34</b>
Utilisation des batteries .....	28	<b>ENREGISTREMENT DU PRODUIT</b> .....	<b>34</b>
Environnement .....	28	<b>CONDITIONS DE GARANTIE</b> .....	<b>34</b>
<b>REMARQUES CONCERNANT CE MODE D'EMPLOI</b> .....	<b>28</b>		
<b>ACCESSOIRES FOURNIS AVEC LE SYSTÈME</b> .....	<b>28</b>		
<b>VUE D'ENSEMBLE DU PRODUIT</b> .....	<b>28</b>		
<b>PREMIÈRES ÉTAPES</b> .....	<b>29</b>		
Retirer l'appareil de l'emballage et branchement .....	29		
Charger l'accu .....	29		
Sélectionner/remplacer les embouts .....	29		
Mise en place et port des écouteurs intra-auriculaires .....	29		
<b>APPLICATION BEYERDYNAMIC MIY</b> .....	<b>30</b>		
<b>MISE À JOUR DU LOGICIEL</b> .....	<b>30</b>		
<b>COMPATIBILITÉ AVEC LES LECTEURS</b> .....	<b>30</b>		
<b>CODECS AUDIOS SUPPORTÉS</b> .....	<b>30</b>		
<b>COMMANDE</b> .....	<b>30</b>		
Allumer et éteindre .....	30		
Appairer avec un lecteur (appairage) .....	30		
Fonctionnement à points multiples .....	31		
Régler le volume sonore .....	31		
Lecture de médias .....	31		
Appeler l'assistant personnel .....	31		
Gestion des appels .....	31		
Réinitialiser aux réglages effectués en usine .....	32		
Vue d'ensemble des fonctions de commande .....	32		
Aperçu des témoins LED .....	32		
Réglages pour restituer le meilleur son .....	32		

Nous vous remercions de la confiance apportée à notre maison en choisissant les écouteurs intra-auriculaires Blue BYRD.

## CONSIGNES DE SÉCURITÉ

- ▶ Avant d'utiliser le produit, veuillez lire attentivement l'intégralité de ce mode d'emploi.
- ▶ Veuillez respecter toutes les consignes données en particulier celles relatives à une utilisation en toute sécurité du produit.
- ▶ La société beyerdynamic GmbH & Co. KG ne pourra être tenue responsable de tous dommages au produit ou de toutes blessures subies par quiconque du(e) s à une utilisation du produit négligente, incorrecte, erronée ou non conforme à l'usage indiqué par le fabricant.
- ▶ N'utilisez pas le produit s'il est endommagé.

### Utilisation conforme à la destination prévue

N'utilisez pas le produit pour un autre usage que celui décrit dans ce mode d'emploi. beyerdynamic ne pourra être tenue responsable de tous dommages au produit ou de toutes blessures subies par quiconque du(e) s à une utilisation du produit négligente, incorrecte, erronée ou non conforme à l'usage indiqué par le fabricant.

La société beyerdynamic décline toute responsabilité en cas de dommages des appareils USB non conformes aux spécifications de l'USB.

La société beyerdynamic décline toute responsabilité en cas de dommages résultant de coupures de connexion et de batteries trop vieilles ou vides ou en cas de dépassement de la portée de transmission de Bluetooth®.

Veuillez également observer les dispositions légales en vigueur dans votre pays avant de mettre l'appareil en service.

### Réglage du niveau sonore



Une écoute à volume sonore élevé et pendant trop longtemps peut endommager de manière durable l'ouïe. Sachant que les écouteurs intra-auriculaires sont directement placés dans le conduit auditif et qu'ils ont un volume supérieur de 6 à 9 dB au volume sonore émis par des écouteurs classiques, le risque d'endommager l'ouïe augmente.

- ▶ Avant de mettre les écouteurs dans les oreilles, réglez le volume sonore sur le minimum. Ce n'est qu'après avoir mis les écouteurs dans les oreilles que vous pouvez augmenter le volume sonore.
- ▶ N'utilisez pas les écouteurs intra-auriculaires longtemps à un volume élevé. Comme niveau pour le réglage du niveau sonore, il faut contrôler si vous pouvez encore percevoir votre propre voix lorsque vous écoutez et parlez comme d'habitude avec les écouteurs intra-auriculaires mis dans les oreilles.
- ▶ Si vous souffrez d'acouphènes, réduisez le volume sonore. Consultez, le cas échéant, un médecin.

L'application beyerdynamic MIY vous permet de personnaliser vos écouteurs intra-auriculaires Bluetooth®. La fonction « Statistiques » de l'application enregistre la pression acoustique à laquelle sont exposées vos oreilles pendant toute la durée d'écoute. Elle ne concerne toutefois que la pression acoustique produite via le haut-parleur des écouteurs et pas par des sources de bruits externes.

### Réduction de la perception acoustique des bruits ambiants

Les écouteurs intra-auriculaires diminuent énormément la perception acoustique des bruits ambiants. Le port d'écouteurs intra-auriculaires lors des déplacements sur la voie publique présente un gros risque potentiel. L'ouïe de l'utilisateur ne doit, en aucun cas, être si influencée que cela représente un risque pour la sécurité routière.

- ▶ N'utilisez pas les écouteurs intra-auriculaires dans le rayon d'action de machines et d'outils potentiellement dangereux.
- ▶ Évitez d'utiliser les écouteurs intra-auriculaires lorsque la capacité auditive ne doit pas subir de diminution, en particulier lors des déplacements sur la voie publique, lors du franchissement d'un passage à niveau ou sur un chantier.

### Perception acoustique modifiée

Pour beaucoup de personnes, le port d'écouteurs intra-auriculaires demande un certain temps pour s'y habituer car la perception acoustique de la propre voix et du corps ainsi que les bruits qui se produisent dans l'oreille lorsqu'une personne marche diffèrent de la « normalité » sans écouteurs intra-auriculaires. Cette sensation de corps étranger diminue cependant normalement après avoir porté un certain temps les écouteurs intra-auriculaires.

### Nettoyage

Étant donné que les embouts se salissent et qu'un climat humide et chaud se forme dans le conduit auditif, une concentration élevée de germes peut accroître le risque d'infection du conduit auditif.

- ▶ Nettoyez les embouts à intervalles réguliers.

### Risque d'ingestion

- ▶ Tenez les petits éléments appartenant au produit, à l'emballage et aux accessoires hors de portée des enfants et des animaux de compagnie. Risque d'étouffement en cas d'ingestion !

## Utilisation des batteries

### Risque lié à la chaleur, à l'eau et à une contrainte mécanique

En cas de forte chaleur, d'eau ou de contrainte mécanique trop élevée, il y a un risque d'explosion, de dégagement de chaleur, d'incendie et de dégagement de fumée ou de gaz. Cela peut entraîner des blessures et des dommages irréversibles de la batterie.

- ▶ N'exposez pas la batterie (le pack de batteries ou la batterie intégrée à l'appareil) à une chaleur extrême, aux rayons directs du soleil ou au feu.
- ▶ N'ouvrez pas le boîtier et ne démontez pas la batterie.
- ▶ N'utilisez pas la batterie s'il est possible qu'elle ait été en contact avec de l'eau.
- ▶ Pour charger la batterie en utilisant le port USB de type C intégré, utilisez uniquement un bloc d'alimentation de 5 V conforme à la norme USB 2.0/3.0 (l'intensité de courant absorbé est max. 0,5 A).

### Stockage de la batterie

- ▶ Si vous n'utilisez pas la batterie pendant longtemps, réglez le niveau de charge à env. 50 % de la capacité maximale et stockez-la à une température max. de 30 °C.

## Environnement

- ▶ N'exposez pas le produit à la pluie, à la neige, à des liquides ou à l'humidité.

## REMARQUES CONCERNANT CE MODE D'EMPLOI

Ce mode d'emploi décrit les principales fonctions des écouteurs intra-auriculaires Blue BYRD

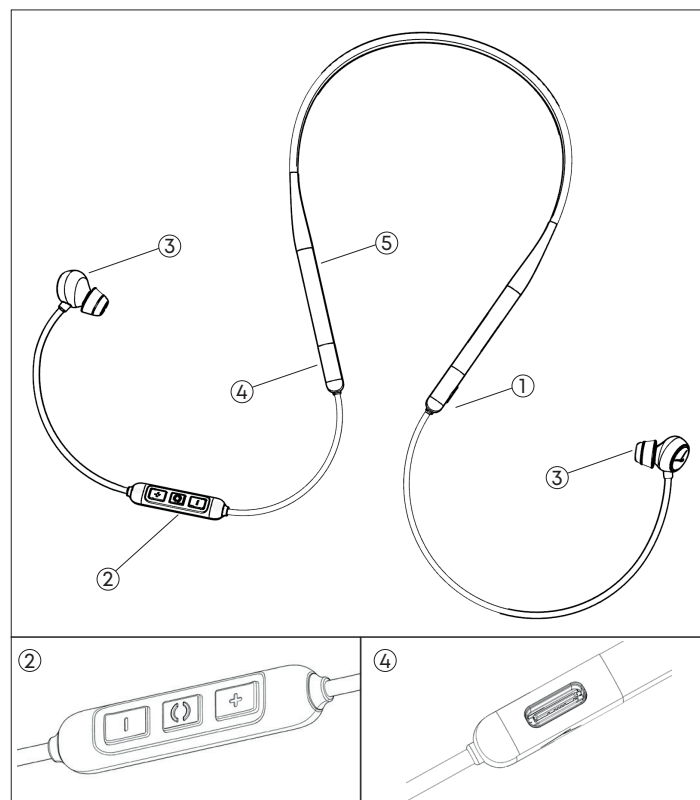
Les données mentionnées dans ce mode d'emploi se rapportent aux réglages standard de la version 1.0 du logiciel. Il est possible qu'une version plus récente soit disponible.

- ▶ Vous trouverez des informations sur la mise à jour du logiciel à la section „Mise à jour du logiciel“ à la page 30.

## ACCESSOIRES FOURNIS AVEC LE SYSTÈME

- Écouteurs intra-auriculaires Blue BYRD avec Bluetooth®
- Cinq paires d'embouts en silicone (XS, S, M, L, XL).
- Câble USB-A sur USB-C
- Étui rigide pour le stockage
- Mode d'emploi

## VUE D'ENSEMBLE DU PRODUIT



**1 Touche Marche/Arrêt**

**2 Télécommande**

[+] / [-] Augmentation / Réduction du volume sonore

() Touche multifonctions

**Microphone** au dos de la télécommande

**3 Écouteurs** à embouts interchangeables

**4 Port USB-C** pour le câble (face inférieure)

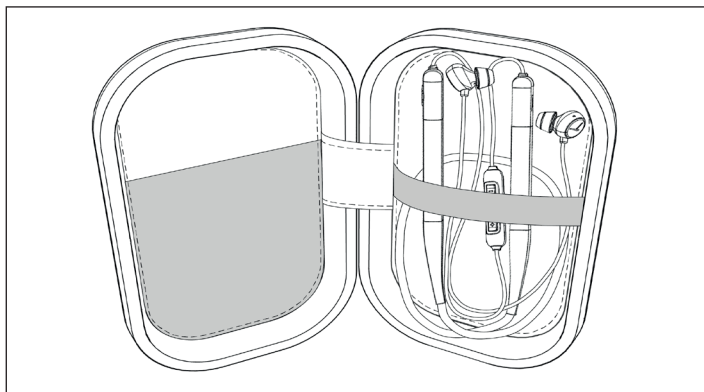
**5 Témoin LED** (côté intérieur)

## PREMIÈRES ÉTAPES

### Retirer l'appareil de l'emballage et branchement

- Pour le transport et lorsque vous n'utilisez pas les écouteurs intra-auriculaires, rangez-les avec les accessoires dans l'étui rigide également fourni.

Vous garantissez ainsi une protection optimale et évitez tout dommage.



### Charger l'accu

Nous conseillons d'utiliser uniquement le câble USB fourni avec l'appareil pour charger la batterie.

1. Branchez les écouteurs intra-auriculaires avec le câble également fourni à une prise USB-A (par ex. à un bloc d'alimentation USB).
2. Retirez le câble USB une fois la recharge terminée.

#### Témoin LED du niveau de charge :

**Clignote en rouge :** la batterie est chargée à 0 – 30 %

**Clignote en jaune :** la batterie est chargée à 30 – 70 %

**Clignote en vert :** la batterie est chargée à 70 – 99 %

**S'allume en vert :** la batterie est chargée à 100 %

#### Remarques concernant la durée de vie des batteries Li-Ion

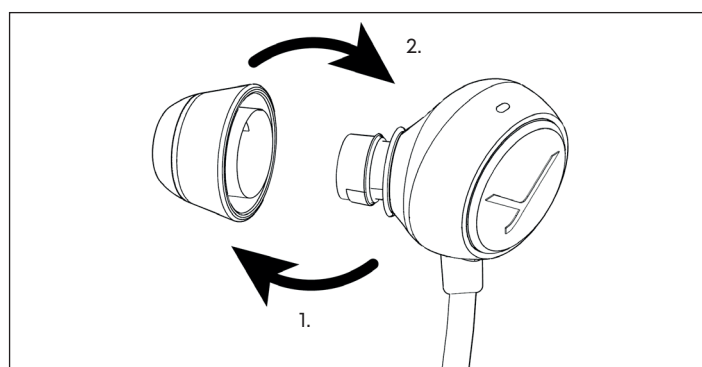
- Retirez le câble USB du chargeur et des écouteurs intra-auriculaires après la charge à 100 %.
- **ATTENTION !** Les températures élevées, surtout en cas de niveau de charge élevé, peuvent provoquer des dommages irréversibles.
- Si vous n'utilisez pas ou si vous stockez la batterie pendant une longue durée d'utilisation, il est recommandé de charger la batterie à environ 50 % de la charge et de la stocker à une température de 20 °C max.
- Après l'utilisation, éteignez le produit alimenté par une batterie.

### Sélectionner/remplacer les embouts

Parmi les accessoires fournis avec les écouteurs intra-auriculaires se trouvent des embouts en cinq tailles différentes. Il est important de choisir les embouts adéquats afin que les écouteurs intra-auriculaires tiennent confortablement et de manière sûre dans les oreilles, garantissent une bonne atténuation des bruits ambiants et permettent d'obtenir la meilleure sonorité possible.

En cas d'utilisation régulière, nous vous recommandons de changer les embouts tous les trois mois. Vous pouvez commander des embouts de rechange en silicone et en d'autres matériaux dans la boutique de pièces de rechange de beyerdynamic existant sur le site [www.beyerdynamic.com/service/spare-parts](http://www.beyerdynamic.com/service/spare-parts)

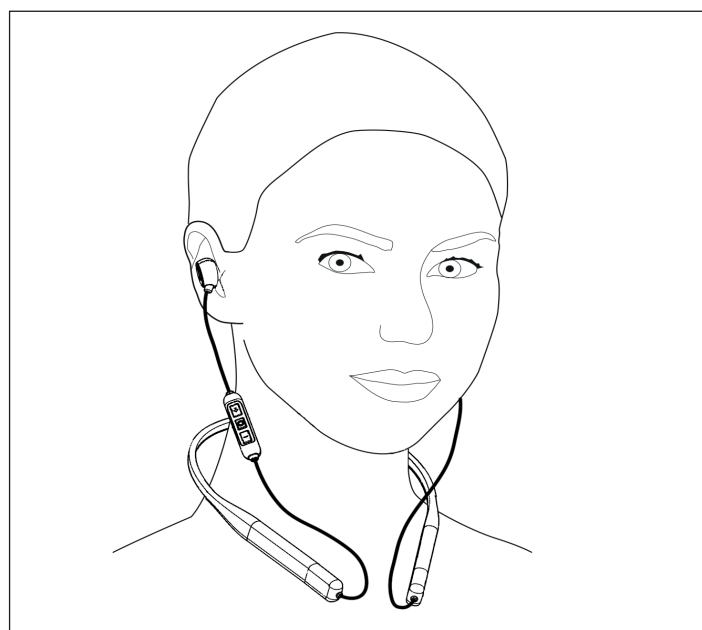
1. Retirez avec précaution des écouteurs l'embout déjà monté.
2. Fixez le nouvel embout sur les écouteurs.



### Mise en place et port des écouteurs intra-auriculaires

- Placez l'étrier sur la nuque et insérez les écouteurs dans l'oreille de gauche et de droite comme marqué sur les écouteurs.

Les écouteurs doivent pouvoir être portés de manière agréable et ne doivent avoir une bonne assise.



## APPLICATION BEYERDYNAMIC MIY

L'appli MIY de beyerdynamic fait l'objet de développements continus afin d'adapter votre Blue BYRD à vos habitudes d'écoute quotidiennes grâce à des fonctions utiles telles la personnalisation du son MOSAYC et les statistiques de suivi et à vos besoins personnels. Lorsque vous utilisez la personnalisation du son MOSAYC, vous découvrirez que le son de votre Blue BYRD est encore meilleur.



## MISE À JOUR DU LOGICIEL

- Vous trouverez facilement des mises à jour du logiciel en consultant l'appli MIY.

## COMPATIBILITÉ AVEC LES LECTEURS

Les écouteurs intra-auriculaires sont compatibles avec les lecteurs Bluetooth® qui prennent en charge les profils suivants :

- A2DP (pour la transmission audio)
- HFP (pour la téléphonie)
- HSP (pour la sortie vocale)
- AVRCP (pour la transmission des signaux de commande)

Les fonctions liées sont disponibles uniquement lorsqu'elles sont supportées par le lecteur.

## CODECS AUDIOS SUPPORTÉS

Dans le profil A2DP, les écouteurs intra-auriculaires supportent les codecs audios SBC, AAC et aptX™ Adaptive. aptX™ Adaptive offre la meilleure qualité audio.

Notez que pour la transmission audio, il est uniquement possible d'utiliser ces codecs présents dans le lecteur.

Le lecteur et les écouteurs intra-auriculaires communiquent automatiquement avec le meilleur codec commun disponible dans l'ordre suivant :

1. aptX™ Adaptive
2. aptX™
3. AAC
4. SBC

La plupart des lecteurs n'indiquent pas quel codec est actuellement utilisé.

## COMMANDE

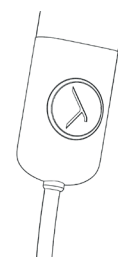
### Allumer et éteindre

#### Allumer :

- Appuyez pendant 2 secondes sur la touche **Marche/Arrêt**.

#### Éteindre :

- Appuyez pendant 4 secondes sur la touche **Marche/Arrêt**.



### Appairer avec un lecteur (appairage)

Avant de pouvoir utiliser les écouteurs intra-auriculaires pour la première fois, vous devez les connecter à votre téléphone mobile ou à un autre appareil compatible avec Bluetooth®. L'appairage peut varier en fonction des différents lecteurs.

- Consultez le mode d'emploi correspondant du lecteur.

#### Établir l'appairage :

- ✓ Les écouteurs intra-auriculaires sont éteints.

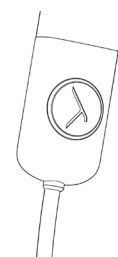
1. Appuyez pendant 4 secondes sur la touche **Marche/Arrêt**.

*Le mode d'appairage Bluetooth® démarre.*

*La LED clignote en alternance en bleu et en rouge.*

2. Activez la fonction Bluetooth® sur le lecteur et, cherchez, le cas échéant, de nouveaux appareils.
3. Sélectionnez « Blue Byrd (2nd gen.) » au menu Bluetooth® du lecteur dans les appareils disponibles puis appairez les deux appareils entre eux.

*Une fois la connexion réussie, la LED clignote brièvement en bleu toutes les 7 secondes. À chaque nouvel allumage, les deux appareils se connecteront dès qu'ils sont situés dans le champ de connexion.*



Lorsque la connexion Bluetooth® est perdue, la LED clignote brièvement en bleu toutes les 3 secondes.

#### Supprimer la liste des appareils déjà appairés :

- Appuyez pendant plus 10 secondes sur la touche **Marche/Arrêt**.

*La liste des appareils Bluetooth® déjà appairés (au maximum 8) est supprimée et les écouteurs intra-auriculaires passent en mode d'appairage Bluetooth®.*

## Fonctionnement à points multiples

Il est possible de connecter jusqu'à 8 appareils compatibles avec Bluetooth® aux écouteurs intra-auriculaires. Une connexion active n'est possible qu'avec max. deux appareils. La lecture de morceaux de musique et la téléphonie ne sont cependant possibles qu'avec un appareil. La téléphonie a alors priorité sur la lecture de morceaux de musique c'est-à-dire que la lecture de morceaux de musique est interrompue dès que quelqu'un appelle.

### Liste des priorités en cas d'utilisation des lecteurs (LE) :

Prio.	Profil	Lecteurs (LE)
1	HFP (téléphonie)	LE1 (le premier appareil qui est connecté)
2	HFP (téléphonie)	LE2 (le deuxième appareil qui est connecté)
3	A2DP (lecture de morceaux de musique)	LE1 (le premier appareil qui est connecté)
4	A2DP (lecture de morceaux de musique)	LE2 (le deuxième appareil qui est connecté)

### Régler les points multiples :

1. Connectez les écouteurs intra-auriculaires avec le premier appareil (voir „Appairer avec un lecteur (appairage)“ à la page 30).
2. Désactivez la connexion Bluetooth® du premier appareil.
3. Éteignez les écouteurs intra-auriculaires.
4. Connectez les écouteurs intra-auriculaires avec le deuxième appareil (voir „Appairer avec un lecteur (appairage)“ à la page 30).
5. Réactivez la connexion Bluetooth® du premier appareil qui se connecte automatiquement avec les écouteurs intra-auriculaires.

*Lorsque les deux appareils sont appairés aux écouteurs intra-auriculaires, les écouteurs intra-auriculaires se connectent automatiquement aux deux appareils à chaque prochaine mise en marche.*

### Utiliser les points multiples :

- ✓ Vous avez connecté les écouteurs intra-auriculaires à deux appareils et venez d'activer la lecture de médias.
- ▶ Appuyez brièvement une fois sur la touche (⏮) pour accepter un appel entrant.
- ✓ Vous avez connecté les écouteurs intra-auriculaires à deux appareils et venez de raccrocher.
- ▶ Appuyez 1 fois sur la touche (⏮) pour reprendre la lecture du média que vous étiez en train d'écouter.



## Régler le volume sonore

### Augmenter/Réduire le volume sonore :

- ▶ Pas à pas : appuyez brièvement sur la touche [+] / [-].
- ▶ En continu : maintenez la touche [+] / [-] enfoncée.  
*Un signal sonore indique le volume sonore minimum/maximum atteint.*



## Lecture de médias

Notez que les fonctions décrites ci-dessous dépendent du lecteur utilisé et du logiciel de lecture.

### Démarrer / arrêter la lecture d'un média :

- ▶ Appuyez 1 fois brièvement sur la touche (⏮).

### Jouer le titre suivant / précédent :

- ▶ Appuyez 2/3 fois brièvement sur la touche (⏮).

### Avance / Retour rapide :

- ▶ Appuyez 2/3 fois brièvement sur la touche (⏮) puis maintenez-la enfoncée.



## Appeler l'assistant personnel

### Appelez l'assistant personnel de votre smartphone ou de votre tablette :

- ▶ Appuyez pendant 2 secondes sur la touche (⏮).



## Gestion des appels

### Accepter / terminer l'appel (1):

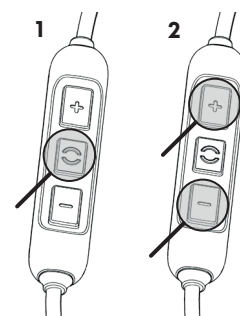
- ▶ Appuyez brièvement sur la touche (⏮).

### Refuser un appel :

- ▶ Appuyez pendant 2 secondes sur la touche (⏮).

### Augmenter / Diminuer le volume sonore de l'appel (2) :

- ▶ Appuyez sur la touche [+] / [-].

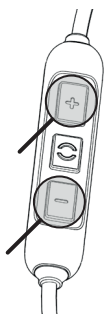


## Réinitialiser aux réglages effectués en usine

Toutes les données personnelles sont supprimées lors de la réinitialisation aux réglages effectués en usine !

### Réinitialiser aux réglages effectués en usine :

- ▶ Appuyez simultanément pendant 4 secondes sur la touche **[+]** et la touche **[-]** pendant .



## Vue d'ensemble des fonctions de commande

Fonction	Commande
Augmentation du volume sonore	▶ Appuyez sur la touche <b>[+]</b>
Diminution du volume sonore	▶ Appuyez sur la touche <b>[-]</b>
Allumer	▶ Appuyez pendant 2 secondes sur la touche <b>Marche/Arrêt</b>
Éteindre	▶ Appuyez pendant 4 secondes sur la touche <b>Marche/Arrêt</b>
Démarrer / Arrêter la lecture de médias	▶ Appuyez 1 fois brièvement sur la touche <b>( )</b>
Passer au titre suivant	▶ Appuyez 2 fois brièvement sur la touche <b>( )</b>
Retourner au titre précédent	▶ Appuyez 3 fois brièvement sur la touche <b>( )</b>
Avance rapide	▶ Appuyez 2 fois sur la touche <b>( )</b> puis maintenez-la enfoncée
Retour rapide	▶ Appuyez 3 fois sur la touche <b>( )</b> puis maintenez-la enfoncée
Accepter / terminer l'appel	▶ Appuyez 1 fois brièvement sur la touche <b>( )</b>
Refuser un appel	▶ Appuyez 2 secondes sur la touche <b>( )</b>
Lancer l'assistant personnel (Siri, Google Assistant, etc.)	▶ Appuyez pendant 2 secondes sur la touche <b>( )</b>
Activer ou désactiver des annonces vocales	▶ Appuyez simultanément pendant 2 secondes sur la touche <b>( )</b> et la touche <b>[+]</b>
Réinitialiser aux réglages effectués en usine	▶ Appuyez simultanément pendant 4 secondes sur la touche <b>[+]</b> et la touche <b>[-]</b>

## Aperçu des témoins LED

Témoin LED	Fonction
Clignote en rouge/en jaune/en vert	Charge
S'allume en permanence en vert	Charge complète
S'allume pendant 1,5 s en rouge	Éteindre
Clignote rapidement en rouge	La batterie est presque vide
S'allume par alternance en bleu et en rouge	Mode de connexion Bluetooth® activé
Clignote brièvement en bleu toutes les 7 secondes	Connexion Bluetooth® activée
Clignote brièvement en bleu toutes les 3 secondes	Connexion Bluetooth® perdue
Clignote brièvement en bleu toutes les 7 secondes	Lecture du média activée
Clignote rapidement en bleu	Appel entrant
Clignote brièvement en bleu toutes les 7 secondes	Appel actif
S'allume 3 fois en rose par seconde	Mode de mise à jour du logiciel activé

## Réglages pour restituer le meilleur son

Pour obtenir le meilleur son possible avec les écouteurs intra-auriculaires via Bluetooth®, vous devez prendre en compte les remarques pratiques suivantes :

1. Réglez le volume sonore des écouteurs intra-auriculaires sur le minimum et le volume du lecteur sur le maximum.
2. Réglez ensuite le volume sonore uniquement sur les écouteurs intra-auriculaires et non pas sur le lecteur.

Cela ne s'applique qu'aux lecteurs qui ne synchronisent pas automatiquement le volume sonore. Quant aux lecteurs qui synchronisent automatiquement le volume sonore (par ex. iPhone, iPad ou divers smartphones Android), le volume des écouteurs intra-auriculaires est toujours identique au volume du lecteur.

3. Désactivez les éventuels effets audio existants dans le logiciel de lecture.



## AIDE EN CAS DE PROBLÈMES / FOIRE AUX QUESTIONS

### Les écouteurs intra-auriculaires ne s'allument pas

La pile est vide ou le niveau de charge de la pile n'est plus que faible. ► Chargez la pile.

### Aucun son audio n'est restitué.

Il n'y a pas de connexion Bluetooth®. ► Connectez les écouteurs intra-auriculaires au lecteur.

### Les écouteurs intra-auriculaires n'apparaissent pas parmi les appareils Bluetooth® disponibles dans le lecteur.

Les écouteurs intra-auriculaires sont éteints. ► Allumez les écouteurs intra-auriculaires.

Les écouteurs intra-auriculaires ne sont pas en mode de connexion. ► Mettez les écouteurs intra-auriculaires en mode de connexion.

Il existe déjà une connexion Bluetooth® avec un autre lecteur. ► Coupez la connexion Bluetooth® avec l'autre lecteur et connectez les écouteurs intra-auriculaires avec l'appareil souhaité.

### Le volume sonore de lecture est trop faible alors que les écouteurs intra-auriculaires sont réglés au maximum

Le signal audio transmis est trop faible. ► Réglez le volume sonore de lecture au maximum sur le lecteur.

### Le son est aigu et la restitution des basses est trop faible

L'étanchéité des écouteurs ne suffit pas. Sélectionnez les embouts adaptés à gauche et à droite jusqu'à ce que le son soit idéal.

### La portée sans fil est insuffisante ou la connexion est coupée

Il y a des interférences avec d'autres appareils. ► Respectez la distance entre les écouteurs intra-auriculaires et les routeurs WiFi ou les micro-ondes.  
► Ne restez pas entre le lecteur et les écouteurs intra-auriculaires.

## DURÉE DE VIE DES BATTERIES

- Retirez le câble USB du chargeur et des écouteurs intra-auriculaires après la charge à 100 %.
- Les températures élevées, surtout en cas de niveau de charge élevé, peuvent provoquer des dommages irréversibles.
- Stockage des batteries, voir Seite 28.
- Après l'utilisation, éteindre le produit alimenté par une batterie.

## NETTOYAGE ET ENTRETIEN

- Pour nettoyer l'ensemble des éléments des écouteurs intra-auriculaires, utilisez un chiffon doux humidifié à l'aide d'un nettoyant à base d'alcool. Veillez à ce qu'aucun liquide ne pénètre à l'intérieur de la coque, ni du transducteur acoustique.
- N'utilisez pas de nettoyants contenant des solvants, car ceux-ci peuvent endommager la surface.

## PIÈCES DE RECHANGE

Vous trouverez les pièces de rechange pour les écouteurs intra-auriculaires sur le site Internet [www.beyerdynamic.com/service](http://www.beyerdynamic.com/service).

## MISE AU REBUT

Ce symbole représenté sur le produit, dans le mode d'emploi ou sur l'emballage indique que vos appareils électriques et électroniques ne doivent pas être éliminés avec les ordures ménagères en fin de vie. Pour de plus amples informations, merci de vous adresser aux autorités locales ou au revendeur auprès duquel vous avez acheté le produit.



- Éliminez toujours les batteries utilisées ou les appareils fonctionnant sur batteries conformément aux directives applicables. Le retour est gratuit.
- Éliminez uniquement les batteries déchargées.

## DÉCLARATION DE CONFORMITÉ UE

beyerdynamic déclare par la présente que l'appareil de transmission radio répond à la directive de l'Union européenne 2014/53/UE.

- Vous trouverez le texte complet de la déclaration de conformité UE sur le site Internet : [www.beyerdynamic.com/cod](http://www.beyerdynamic.com/cod)

## CARACTÉRISTIQUES TECHNIQUES

Plage des fréquences Bluetooth®	entre 2,400 et 2,4835 GHz
Puissance d'émission	10 dBm
Plage de la température de fonctionnement	de -10 à +60 °C
Plage de la température de stockage	de 0 à +45 °C

---

- Vous trouverez de plus amples informations sur les données techniques sur notre site Internet [www.beyerdynamic.com/blue-byrd](http://www.beyerdynamic.com/blue-byrd)

## ENREGISTREMENT DU PRODUIT

Vous pouvez enregistrer vos écouteurs intra-auriculaires sur notre site Internet [www.beyerdynamic.com](http://www.beyerdynamic.com) en indiquant le numéro de série.

## CONDITIONS DE GARANTIE

La société beyerdynamic accorde une garantie limitée sur le produit original beyerdynamic que vous avez acheté.

- Vous trouverez les conditions de garantie détaillées de beyerdynamic sur le site Internet <https://global.beyerdynamic.com/service/warranty>

# **Blue BYRD** **2ª generación**

**INTRA-AURICULARES**

INSTRUCCIONES DE USO

Español

**beyerdynamic**

# ÍNDICE

<b>INSTRUCCIONES DE SEGURIDAD</b> .....	<b>37</b>	<b>AYUDA PARA RESOLUCIÓN DE PROBLEMAS / PMF</b> .....	<b>42</b>
Uso correcto .....	37	<b>VIDA ÚTIL DE LAS BATERÍAS</b> .....	<b>43</b>
Ajuste del volumen .....	37	<b>LIMPIEZA Y MANTENIMIENTO</b> .....	<b>43</b>
Reducción de la percepción acústica .....	37	<b>PIEZAS DE REPUESTO</b> .....	<b>43</b>
Cambio de la percepción acústica .....	37	<b>ELIMINACIÓN</b> .....	<b>43</b>
Limpieza .....	37	<b>DECLARACIÓN UE DE CONFORMIDAD</b> .....	<b>43</b>
Peligro de ingestión .....	37	<b>CARACTERÍSTICAS TÉCNICAS</b> .....	<b>43</b>
Utilización de las baterías .....	37	<b>REGISTRO DEL PRODUCTO</b> .....	<b>43</b>
Condiciones medioambientales .....	37	<b>TÉRMINOS DE GARANTÍA</b> .....	<b>43</b>
<b>ACERCA DE ESTAS INSTRUCCIONES</b> .....	<b>38</b>		
<b>VOLUMEN DE SUMINISTRO</b> .....	<b>38</b>		
<b>VISTA GENERAL DEL PRODUCTO</b> .....	<b>38</b>		
<b>PRIMEROS PASOS</b> .....	<b>38</b>		
Extracción del embalaje y almacenamiento .....	38		
Recarga de la batería .....	38		
Selección/cambio de las almohadillas .....	39		
Colocación y utilización de los auriculares .....	39		
<b>APP BEYERDYNAMIC MIY</b> .....	<b>39</b>		
<b>ACTUALIZACIÓN DE SOFTWARE</b> .....	<b>39</b>		
<b>COMPATIBILIDAD CON DISPOSITIVOS REPRODUCTORES</b>	<b>39</b>		
<b>CÓDECS DE AUDIO SOPORTADOS</b> .....	<b>39</b>		
<b>MANEJO</b> .....	<b>40</b>		
Encendido y apagado .....	40		
Enlace con el reproductor (emparejamiento) .....	40		
Uso multi punto .....	40		
Ajuste del volumen .....	41		
Reproducción de medios .....	41		
Abrir el asistente personal .....	41		
Controlar llamadas .....	41		
Restablecimiento de la configuración de fábrica .....	41		
Vista general de las funciones .....	41		
Vista general de los pilotos LED .....	42		
Ajustes para el mejor sonido .....	42		

Le agradecemos su confianza y que se haya decidido por unos intra-auriculares Blue BYRD.

## INSTRUCCIONES DE SEGURIDAD

- ▶ Lea atentamente estas instrucciones al completo antes de utilizar el producto.
- ▶ Preste especial atención a la información sobre el uso seguro del producto.
- ▶ La empresa beyerdynamic GmbH & Co. KG declina toda responsabilidad por daños en el producto o lesiones sufridas por personas como consecuencia de un uso del producto negligente, inadecuado, incorrecto o con un fin distinto del especificado por el fabricante.
- ▶ No utilice el producto si está dañado.

### Uso correcto

No utilice el producto para usos diferentes a los indicados en estas instrucciones. beyerdynamic declina toda responsabilidad ante daños en el producto o lesiones personales como consecuencia de un uso del producto negligente, inadecuado, incorrecto o con un fin distinto del especificado por el fabricante.

beyerdynamic no es responsable de daños en dispositivos USB que no cumplan las especificaciones del USB.

beyerdynamic no se responsabiliza de los daños provocados por la pérdida de conexión a causa de baterías descargadas o viejas, o por la superación del alcance del Bluetooth®.

Respete también las normas específicas del país antes de la puesta en funcionamiento.

### Ajuste del volumen



Un volumen excesivo o escuchar música durante demasiado tiempo pueden dañar el oído. El volumen de los intra-auriculares puede ser de 6 a 9 dB superior al de los auriculares

clásicos puesto que se colocan directamente en el conducto auditivo. En consecuencia, aumenta el riesgo de lesiones auditivas.

- ▶ Antes de ponerse los auriculares, baje el volumen al mínimo. Una vez colocados, ya puede subirlo.
- ▶ No utilice los intra-auriculares durante mucho tiempo a un volumen alto. Cuando tenga los intra-auriculares puestos, debería poder oír su propia voz al hablar mientras escucha la música.
- ▶ Si sufre de acúfenos, baje el volumen. Y dado el caso, consulte a su médico.

Con la app beyerdynamic MIY puede personalizar sus auriculares Bluetooth®. La función "Estadística" de la app registra la presión sonora a la que se han visto sometidos los oídos del usuario a lo largo del tiempo. No obstante, se restringe a la presión sonora procedente de los altavoces de los auriculares, no a las fuentes de ruido externas.

### Reducción de la percepción acústica

Los intra-auriculares reducen drásticamente la percepción acústica exterior. Utilizar intra-auriculares en un entorno de tráfico es muy peligroso. La capacidad de audición del usuario no puede estar mermada de tal manera que resulte una amenaza para la seguridad vial.

- ▶ No lleve los intra-auriculares puestos en un entorno de máquinas potencialmente peligrosas o maquinaria de trabajo.
- ▶ Evite usar los intra-auriculares también en situaciones en las que no se deba mermar la capacidad auditiva, en particular al cruzar las vías del tren o en una obra.

### Cambio de la percepción acústica

Muchas personas precisan cierto tiempo para habituarse a los intra-auriculares ya que estos alteran la percepción acústica de la propia voz y el cuerpo, y el sonido inherente al andar cambia de las situaciones "normales" sin intra-auriculares. No obstante, por lo general, esta sensación extraña se atenúa con el tiempo al acostumbrarse a llevar los auriculares.

### Limpieza

La combinación de almohadillas sucias y el ambiente húmedo y caliente del conducto auditivo, aumenta el riesgo de infección en el conducto por gérmenes en el oído.

- ▶ Limpie las almohadillas con regularidad.

### Peligro de ingestión

- ▶ Mantenga las piezas pequeñas, como partes del producto, del embalaje y de los accesorios, fuera del alcance de niños y animales domésticos. ¡Existe riesgo de ahogamiento al tragarlos!

### Utilización de las baterías

#### Peligro por calor, agua y carga mecánica

En un contexto de exceso de calor, agua o presión mecánica demasiado elevada, existe el riesgo de explosión, emisión de calor, fuego, humo o gas. Como consecuencia se puede dañar la batería provocando daños irreversibles en ella.

- ▶ No exponga la batería (paquete de baterías o batería integrada) a calor excesivo, radiación solar directa o fuego.
- ▶ No abra la carcasa ni desmonte la batería.
- ▶ No utilice la batería si ha entrado en contacto directo con agua.
- ▶ Para cargar la batería con el USB tipo C integrado, utilice un adaptador USB 2.0/3.0 estándar de 5 V (con una potencia máx. de 0,5 A).

#### Almacenamiento de la batería

- ▶ Si no va a utilizar la batería durante tiempo, ajuste el estado de carga al 50 % de la capacidad máxima y guárdela a una temperatura máxima de 30 °C.

### Condiciones medioambientales

- ▶ No exponga el producto a lluvia, nieve, líquidos o humedad.

## ACERCA DE ESTAS INSTRUCCIONES

En estas instrucciones se describen las funciones más importantes de los intra-auriculares Blue BYRD

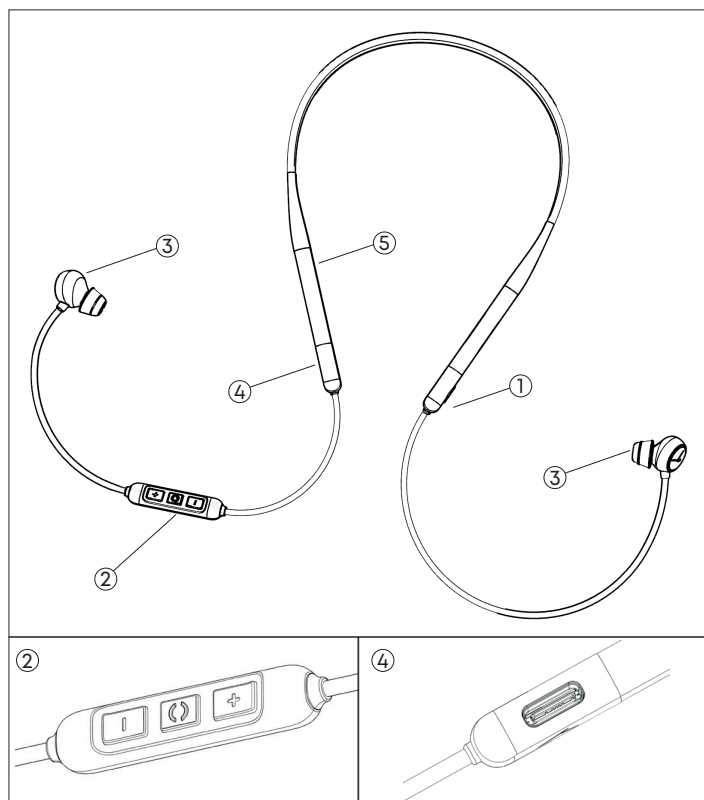
Los datos se refieren a la configuración estándar de la versión de software 1.0. Es probable que haya una nueva versión disponible.

- ▶ En „Actualización de software“ en la página 39 encontrará información sobre la actualización de software.

## VOLUMEN DE SUMINISTRO

- Intra-auriculares Blue BYRD con Bluetooth®
- Cinco pares de almohadillas de silicona (XS, S, M, L, XL).
- Cable USB-A a USB-C
- Funda para guardarlos
- Instrucciones de uso

## VISTA GENERAL DEL PRODUCTO



### 1 Botón ON/OFF

### 2 Mando a distancia

[+] / [-] Subir/bajar el volumen

() Botón multifunción

**Micrófono** En la parte trasera del mando a distancia

### 3 Auriculares con almohadillas intercambiables

### 4 Conexión USB-C para el cable (en la parte inferior)

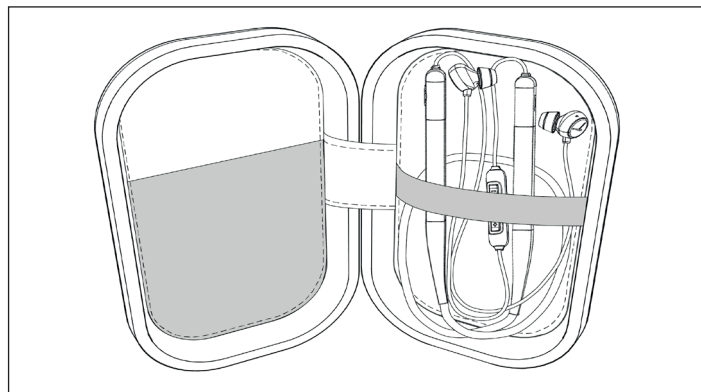
### 5 Piloto LED (interior)

## PRIMEROS PASOS

### Extracción del embalaje y almacenamiento

- ▶ Mientras no los utilice y para transportarlos, guarde los intra-auriculares y sus accesorios en la funda suministrada.

De este modo, quedarán protegidos al máximo y evitará que se dañen.



### Recarga de la batería

Para cargar la batería recomendamos utilizar solo el cable USB suministrado.

1. Conecte los intra-auriculares con el cable suministrado en un puerto USB-A estándar conductor (p. ej. un adaptador de alimentación USB).
2. Una vez finalizada la carga, retire el cable USB.

### Piloto LED indicador del estado de carga:

**Parpadeo rojo:** Batería al 0 – 30 % de carga

**Parpadeo amarillo:** Batería al 30 – 70 % de carga

**Parpadeo verde:** Batería al 70 – 99 % de carga

**Verde fijo:** Batería al 100 % de carga

### Información sobre la vida útil de las baterías Li-Ion

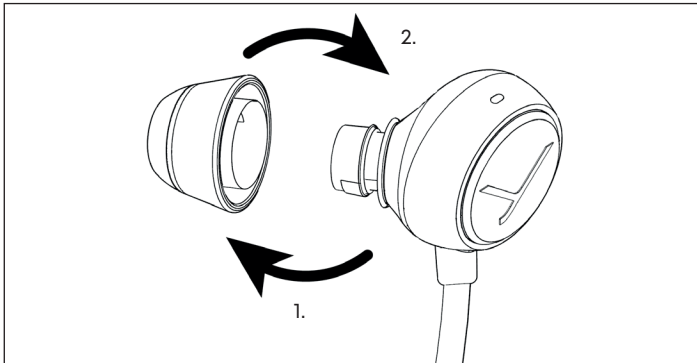
- Una vez finalizada la carga, desconecte el cable USB del dispositivo de carga y los intra-auriculares.
- **¡ATENCIÓN!** Las temperaturas altas, especialmente con la batería cargada, pueden provocar daños irreversibles.
- Si no va a utilizar la batería durante un tiempo o para guardarla, recomendamos que la deje a un 50 % aprox. de carga y la conserve a una temperatura de 20 °C como máximo.
- Después de usarlo, apague el producto alimentado por batería.

## Selección/cambio de las almohadillas

La caja de los intra-auriculares incluye almohadillas de diferentes medidas. Es importante que elija las que le resulten más cómodas y se asienten mejor para amortiguar el ruido exterior y disfrutar del sonido al máximo.

Si usa los auriculares habitualmente, le recomendamos que cambie las almohadillas cada tres meses. En la tienda de repuestos de beyerdynamic puede adquirir almohadillas de repuesto de silicona y otros materiales: [www.beyerdynamic.com/service/spare-parts](http://www.beyerdynamic.com/service/spare-parts)

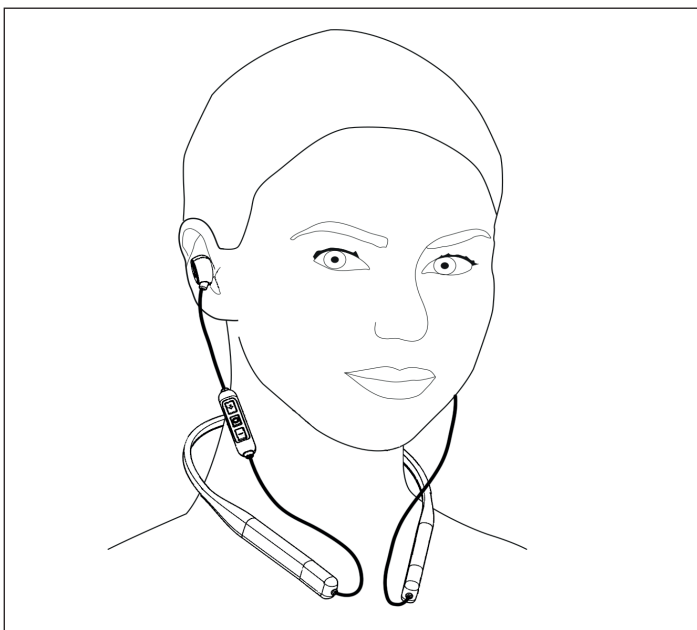
1. Retire la almohadilla del auricular con delicadeza.
2. Coloque la nueva almohadilla.



## Colocación y utilización de los auriculares

- Pase la diadema alrededor del cuello y colóquese los auriculares prestando atención a la marca de izquierda y derecha.

Debe sentirse cómodo y seguro con los auriculares puestos.



## APP BEYERDYNAMIC MIY

La app MIY de beyerdynamic se beneficia de una mejora continua para que Blue BYRD se ajuste a las necesidades personales del usuario mediante útiles funciones como la personalización del sonido MOSAYC, que crea una estadística de seguimiento de sus hábitos de escucha diarios y otros ajustes. Gracias a ella, cuando escuche el sonido personalizado de MOSAYC, se dará cuenta de que su Blue BYRD suena aún mejor.



## ACTUALIZACIÓN DE SOFTWARE

- La app MIY irá proponiendo cómodas actualizaciones de software.

## COMPATIBILIDAD CON DISPOSITIVOS REPRODUCTORES

Estos intra-auriculares Bluetooth® son compatibles con los siguientes perfiles:

- A2DP (para la transferencia de audio)
- HFP (para telefonía)
- HSP (para salida de voz)
- AVRCP (para la transmisión de señales de control)

Las funciones vinculadas solo están disponibles si son compatibles con el reproductor.

## CÓDECS DE AUDIO SOPORTADOS

Dentro del perfil A2DP los intra-auriculares soportan los códecs de audio SBC, AAC y aptX™ Adaptive. aptX™ Adaptive ofrece la mejor calidad de audio.

Solo se pueden utilizar los códecs para la transmisión de audio que estén disponibles en el reproductor.

El reproductor y los intra-auriculares se comunican automáticamente en el mejor códec común disponible en el siguiente orden:

1. aptX™ Adaptive
2. aptX™
3. AAC
4. SBC

La mayoría de reproductores no muestran qué códec se está utilizando.

## MANEJO

### Encendido y apagado

#### Encendido:

- ▶ Pulse el botón **ON/OFF** 2 s.

#### Apagado:

- ▶ Pulse el botón **ON/OFF** 4 s.



### Enlace con el reproductor (emparejamiento)

Antes de utilizar los intra-auriculares por primera vez, debe enlazarlos con el teléfono móvil o cualquier otro dispositivo Bluetooth®. El proceso de enlace puede variar de un dispositivo de reproducción a otro.

- ▶ Le rogamos que siga las instrucciones del reproductor.

#### Para crear el enlace:

- ✓ Los intra-auriculares deben estar apagados.

1. Pulse el botón **ON/OFF** 4 s.

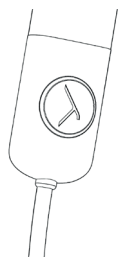
*Se iniciará el modo de enlace Bluetooth®.*

*El piloto LED parpadea rápido alternando azul y rojo.*

2. Active la función Bluetooth® en el reproductor y, si es necesario, busque nuevos dispositivos.

3. Seleccione "Blue Byrd (2nd gen.)" en la lista de dispositivos disponibles del menú Bluetooth® del reproductor, y enlace ambos dispositivos.

*Finalizado el enlace, parpadeará brevemente el LED azul cada 7 s. A partir de ahora, se enlazarán los dispositivos cada vez que los encienda si se encuentran dentro de la zona de alcance.*



Cuando se pierda la conexión Bluetooth®, parpadeará brevemente el LED azul cada 3 s.

#### Eliminar la lista de los dispositivos enlazados:

- ▶ Pulse el botón **ON/OFF** durante más de 10 s.  
*Se eliminará la lista de dispositivos Bluetooth® enlazados (8 como máximo) y los intra-auriculares pasarán a Modo de enlace Bluetooth®.*

### Uso multi punto

Los intra-auriculares se pueden enlazar con hasta 8 dispositivos por Bluetooth®. Permite una conexión activa simultánea con dos dispositivos como máximo. No obstante, la reproducción de música y la telefonía solo se puede realizar con un dispositivo. En ese caso, la telefonía tiene prioridad sobre la reproducción de música. Es decir, al recibir una llamada, se interrumpe la música.

#### Lista de prioridades al utilizar el reproductor (R):

Prio.	Perfil	Reproductor (R)
1	HFP (telefonía)	R 1 (primer dispositivo conectado)
2	HFP (telefonía)	R 2 (dispositivo conectado en segundo lugar)
3	A2DP (reproducción de música)	R 1 (primer dispositivo conectado)
4	A2DP (reproducción de música)	R 2 (dispositivo conectado en segundo lugar)

#### Ajuste multi punto:

1. Enlace los intra-auriculares con el primer dispositivo (véase „Enlace con el reproductor (emparejamiento)” en la página 40).
2. Desactive la conexión Bluetooth® del primer dispositivo.
3. Apague los intra-auriculares.
4. Enlace los intra-auriculares con el segundo dispositivo (véase „Enlace con el reproductor (emparejamiento)” en la página 40).
5. Active de nuevo la conexión Bluetooth® en el primer dispositivo para que se conecte automáticamente con los intra-auriculares.  
*Si ambos dispositivos están acoplados con los intra-auriculares, estos se conectarán automáticamente cada vez que se enciendan ambos de nuevo.*

#### Uso multi punto:

- ✓ Intra-auriculares enlazados con dos dispositivos y la reproducción de medios activada.
- ▶ Pulse brevemente el botón **( )** una vez para responder a una llamada.
- ✓ Intra-auriculares enlazados con dos dispositivos y llamada finalizada.
- ▶ Pulse brevemente el botón **( )** una vez para reiniciar la reproducción del último medio escuchado.

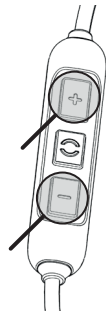




## Ajuste del volumen

### Subir/bajar el volumen:

- ▶ Paulatinamente: Pulse brevemente el botón **[+]** / **[-]**.
- ▶ De una vez: Mantenga pulsado el botón **[+]** / **[-]**.  
*Cuando se alcance el volumen máximo/ mínimo, sonará una señal acústica.*



## Reproducción de medios

Las funciones descritas dependen del reproductor utilizado así como del software de reproducción y en algún caso puede que no estén disponibles.

### Iniciar/detener reproducción

- ▶ Pulse brevemente el botón **( )**.

### Reproducir el siguiente/anterior título:

- ▶ Pulse brevemente el botón **( )** dos/tres veces.

### Avanzar/retroceder:

- ▶ Pulse brevemente el botón **( )** dos/tres veces y manténgalo pulsado.



## Abrir el asistente personal

### Abrir el asistente personal de su smartphone o tableta:

- ▶ Pulse el botón **( )** durante 2 s.



## Controlar llamadas

### Responder/colgar una llamada (1):

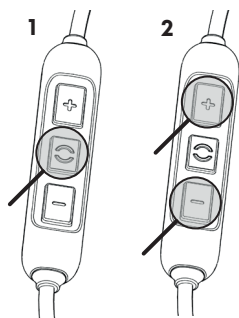
- ▶ Pulse brevemente el botón **( )**.

### Rechazar llamada:

- ▶ Pulse el botón **( )** durante 2 s.

### Subir/bajar el volumen de la llamada (2):

- ▶ Pulse el botón **[+]** / **[-]**.

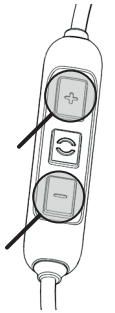


## Restablecimiento de la configuración de fábrica

¡Al restablecer la configuración de fábrica se borran todos los datos personales!

### Restablecer la configuración de fábrica:

- ▶ Pulse los botones **[+]** y **[-]** simultáneamente 4 s.



## Vista general de las funciones

Función	Manejo
Subir el volumen	▶ Pulse el botón <b>[+]</b>
Bajar el volumen	▶ Pulse el botón <b>[-]</b>
Encender	▶ Pulse el botón <b>ON/OFF</b> 2 s.
Apagar	▶ Pulse el botón <b>ON/OFF</b> 4 s.
Iniciar/detener la reproducción de medios	▶ Pulse brevemente el botón <b>( )</b> una vez.
Saltar al título siguiente	▶ Pulse brevemente el botón <b>( )</b> dos veces.
Saltar al título anterior	▶ Pulse brevemente el botón <b>( )</b> tres veces.
Avanzar	▶ Pulse brevemente el botón <b>( )</b> dos veces y manténgalo pulsado.
Retroceder	▶ Pulse brevemente el botón <b>( )</b> tres veces y manténgalo pulsado.
Responder/colgar una llamada	▶ Pulse brevemente el botón <b>( )</b> una vez.
Rechazar llamada	▶ Pulse el botón <b>( )</b> durante 2 s
Abrir el asistente personal (Siri, Google Assistant etc.)	▶ Pulse el botón <b>( )</b> durante 2 s.
Activar y desactivar mensajes de voz	▶ Pulse los botones <b>( )</b> y <b>[+]</b> simultáneamente 2 s.
Restablecer la configuración de fábrica	▶ Pulse los botones <b>[+]</b> y <b>[-]</b> simultáneamente 4 s.

## Vista general de los pilotos LED

Piloto LED	Función
Parpadeo rojo/amarillo/verde	Carga
Iluminado en verde	Carga completa
Se enciende 1,5 s en rojo	Desconexión
Parpadeo en blanco rápido	Batería casi descargada
Parpadeo alternando azul y rojo	Modo de conexión Bluetooth® activo
Parpadeo breve en azul cada 7 s	Conexión Bluetooth® activa
Parpadeo breve en azul cada 3 s	Conexión Bluetooth® perdida
Parpadeo breve en azul cada 7 s	Reproducción de medios activa
Parpadeo rápido en azul	Llamada entrante
Parpadeo breve en azul cada 7 s	Llamada activa
Parpadeo en rosa 3 veces por s	Modo Actualización de software activo

## Ajustes para el mejor sonido

Para obtener el mejor sonido posible con los intra-auriculares a través de Bluetooth®, se deberían tener en cuenta las siguientes indicaciones prácticas:

1. Ajuste el volumen de los intra-auriculares al mínimo y el del reproductor al máximo.
2. En adelante, regule siempre el volumen con los intra-auriculares; no desde el reproductor.

Esto solo es válido para reproductores que no sincronicen el volumen automáticamente. En los reproductores que sincronizan el volumen automáticamente (p. ej. iPhone, iPad, y algunos smartphones Android), el volumen de los auriculares siempre es idéntico al del reproductor.

3. Dado el caso, desactive en el software del reproductor los efectos de audio.

## AYUDA PARA RESOLUCIÓN DE PROBLEMAS / PMF

### Los auriculares no se encienden

La batería está descargada parcial o completamente. ► Cargue la batería.

### No reproduce ningún sonido.

Se ha interrumpido la conexión Bluetooth®. ► Enlace los intra-auriculares con el reproductor.

### Los intra-auriculares no aparecen en la lista de dispositivos Bluetooth® disponibles en el dispositivo de reproducción

Los intra-auriculares deben de estar apagados. ► Encienda los intra-auriculares.

Los intra-auriculares no están en Modo de conexión. ► Ponga los intra-auriculares en Modo de conexión.

Ya hay una conexión Bluetooth® con otro reproductor. ► Desactive la conexión Bluetooth® con el otro reproductor y enlace los intra-auriculares con el dispositivo que desea.

### El volumen es demasiado bajo aunque los intra-auriculares están al máximo

La señal de audio es demasiado baja. ► Ajuste el volumen de reproducción máximo en el reproductor.

### El sonido es agudo con graves muy débiles

Las almohadillas de los auriculares no aíslan bien. ► Elija las almohadillas derecha e izquierda adecuadas para que el sonido sea ideal.

### El alcance inalámbrico es demasiado bajo o se producen interrupciones de la conexión

Hay interferencias con otros dispositivos. ► Aléjese del router WLAN y el microondas.

► No se interponga entre el reproductor y los intra-auriculares.

## VIDA ÚTIL DE LAS BATERÍAS

- Una vez finalizada la carga, desconecte el cable de conexión USB del dispositivo de carga y los intra-auriculares.
- Las temperaturas altas, especialmente con la batería cargada, pueden provocar daños irreversibles.
- Para guardar las baterías véase Seite 37.
- Después de usarlo, apague el producto alimentado por batería.

## LIMPIEZA Y MANTENIMIENTO

- Para limpiar todas las piezas de los intra-auriculares utilice un paño humedecido con un limpiador a base de alcohol. Procure que no penetre ningún líquido en la carcasa ni en el transductor acústico.
- No utilice limpiadores que contengan disolventes, ya que pueden dañar la superficie.

## PIEZAS DE REPUESTO

Encontrará las piezas de repuesto para los intra-auriculares en la página [www.beyerdynamic.com/service](http://www.beyerdynamic.com/service).

## ELIMINACIÓN

Este símbolo en el producto, las instrucciones o el embalaje significa que los dispositivos eléctricos y electrónicos se deben desechar separados de la basura corriente al finalizar su vida útil. Si desea más información, consulte a las autoridades locales o en el comercio que le vendió el producto.



- ▶ Deseche las baterías o dispositivos usados respetando siempre la normativa local. El servicio es gratuito.
- ▶ Tire solo las baterías que estén descargadas.

## DECLARACIÓN UE DE CONFORMIDAD

beyerdynamic manifiesta que este dispositivo de transmisión por radio cumple con la directiva de la UE 2014/53/UE.

- ▶ Encontrará el texto completo de la declaración UE de conformidad en la página web: [www.beyerdynamic.com/cod](http://www.beyerdynamic.com/cod)

## CARACTERÍSTICAS TÉCNICAS

Rango de frecuencia Bluetooth®	2,400 – 2,4835 GHz
Potencia de transmisión	10 dBm
Rango de temperatura de servicio	de -10 a +60 °C
Rango de temperatura de carga	de 0 a +45 °C

- ▶ Para más información sobre los datos técnicos, visite la web: [www.beyerdynamic.com/blue-byrd](http://www.beyerdynamic.com/blue-byrd)

## REGISTRO DEL PRODUCTO

Puede registrar sus intra-auriculares en la web [www.beyerdynamic.com](http://www.beyerdynamic.com) indicando el número de serie.

## TÉRMINOS DE GARANTÍA

beyerdynamic otorga una garantía limitada para el producto original beyerdynamic que acaba de adquirir.

- ▶ Encontrará información detallada de los términos de garantía de beyerdynamic en <https://global.beyerdynamic.com/service/warranty>



# **Blue BYRD** **seconda generazione**

**AURICOLARI IN-EAR**

ISTRUZIONI D'USO

# CONTENUTO

<b>NORME DI SICUREZZA</b> .....	<b>47</b>	<b>AIUTO IN CASO DI PROBLEMI / FAQ</b> .....	<b>52</b>
Usò previsto .....	47	<b>DURATA DELLA BATTERIA</b> .....	<b>53</b>
Regolazione del volume .....	47	<b>PULIZIA E MANUTENZIONE</b> .....	<b>53</b>
Riduzione della percezione dell'ambiente circostante ..	47	<b>PARTI DI RICAMBIO</b> .....	<b>53</b>
Percezione acustica modificata .....	47	<b>SMALTIMENTO</b> .....	<b>53</b>
Pulizia .....	47	<b>DICHIARAZIONE DI CONFORMITÀ UE</b> .....	<b>53</b>
Pericolo di ingestione .....	47	<b>SPECIFICHE</b> .....	<b>53</b>
Utilizzo della batteria .....	47	<b>REGISTRAZIONE DEL PRODOTTO</b> .....	<b>53</b>
Condizioni ambientali .....	47	<b>DISPOSIZIONI DI GARANZIA</b> .....	<b>53</b>
<b>INFORMAZIONI SU QUESTE ISTRUZIONI</b> .....	<b>48</b>		
<b>DOTAZIONE FORNITA</b> .....	<b>48</b>		
<b>VISTA D'INSIEME DEL PRODOTTO</b> .....	<b>48</b>		
<b>PRIMI PASSAGGI</b> .....	<b>48</b>		
Eliminazione dell'imballaggio e conservazione .....	48		
Messa in carica della batteria .....	48		
Selezione/sostituzione degli inserti .....	49		
Utilizzo degli auricolari, come indossarli .....	49		
<b>APP BEYERDYNAMIC MIY</b> .....	<b>49</b>		
<b>AGGIORNAMENTO DEL SOFTWARE</b> .....	<b>49</b>		
<b>COMPATIBILITÀ CON I DISPOSITIVI DI RIPRODUZIONE</b> ..	<b>49</b>		
<b>CODEC AUDIO SUPPORTATI</b> .....	<b>49</b>		
<b>USO</b> .....	<b>50</b>		
Accensione e spegnimento .....	50		
Accoppiamento (pairing) con un dispositivo di riproduzione .....	50		
Connettività multipoint .....	50		
Regolazione del volume .....	51		
Riproduzione di contenuti multimediali .....	51		
Attivazione dell'assistente personale .....	51		
Gestione delle chiamate .....	51		
Ripristino delle impostazioni di fabbrica .....	51		
Panoramica delle funzioni e dei comandi .....	51		
Panoramica delle spie a LED .....	52		
Impostazioni per un suono ottimale .....	52		

Grazie per la fiducia accordataci e per aver scelto i nostri auricolari in-ear Blue BYRD.

## NORME DI SICUREZZA

- ▶ Leggere attentamente e interamente queste istruzioni d'uso prima di usare il prodotto.
- ▶ Osservare tutte le avvertenze fornite, in particolare le indicazioni su come utilizzare il prodotto in sicurezza.
- ▶ beyerdynamic GmbH & Co. KG declina qualsiasi responsabilità per danni al prodotto o per lesioni a persone causati dall'uso poco attento, scorretto, errato o non conforme all'uso previsto dal costruttore.
- ▶ Non utilizzare il prodotto se è difettoso.

### Uso previsto

Non utilizzare il prodotto diversamente da quanto descritto in queste istruzioni. beyerdynamic declina qualsiasi responsabilità per danni al prodotto o per lesioni a persone causati dall'uso poco attento, scorretto, errato o non conforme all'uso previsto dal costruttore.

beyerdynamic non risponde dei danni ai dispositivi USB che non sono conformi alle specifiche USB indicate.

beyerdynamic non risponde di eventuali danni causati da interruzioni della connessione dovute a batterie scariche o troppo vecchie oppure dall'eccessiva distanza dal raggio di azione Bluetooth®.

Prima di utilizzare questo prodotto attenersi anche alle specifiche disposizioni in vigore nel rispettivo paese.

### Regolazione del volume



Un volume molto alto e tempi di ascolto prolungati possono causare danni permanenti all'udito. Poiché vengono indossati direttamente nel canale uditivo, rispetto alle classiche cuffie gli auricolari in-ear possono aumentare il volume di 6 – 9 dB con un rischio maggiore di danni all'udito.

- ▶ Prima di indossare gli auricolari regolare il volume al minimo. Alzare il volume solo dopo aver indossato gli auricolari.
- ▶ Evitare di utilizzare gli auricolari in-ear ad alto volume per un tempo prolungato. Durante l'ascolto e quando si parla normalmente con indosso gli auricolari in-ear si deve sentire la propria voce.
- ▶ In caso di acufene ridurre il volume. Se necessario consultare un medico.

L'app beyerdynamic MIY consente di personalizzare gli auricolari Bluetooth®. La funzione "Statistiche" dell'app registra la pressione sonora alla quale viene esposto l'udito nel corso del tempo. Tuttavia questa funzione fa riferimento soltanto alla pressione sonora generata dall'altoparlante degli auricolari e non a quella proveniente da fonti di rumore esterne.

### Riduzione della percezione dell'ambiente circostante

Gli auricolari in-ear riducono notevolmente la percezione acustica dell'ambiente circostante. L'uso di auricolari in-ear mentre si circola per la strada implica un alto potenziale di pericolo. La capacità uditiva dell'utente non deve essere mai compromessa in misura tale da mettere a repentaglio la sicurezza stradale.

- ▶ Non utilizzare gli auricolari in-ear nell'area di azionamento di macchine e apparecchiature potenzialmente pericolose.
- ▶ Evitare l'uso degli auricolari in-ear in situazioni nelle quali la capacità uditiva non deve essere assolutamente compromessa, in particolare mentre si circola per la strada, quando si attraversa un passaggio a livello o in cantiere.

### Percezione acustica modificata

Per molte persone indossare gli auricolari in-ear richiede una fase di adattamento poiché la percezione acustica della propria voce e del proprio corpo, come pure dei rumori che si avvertono nell'orecchio interno quando si corre, differiscono dalla situazione di "normalità" senza gli auricolari in-ear indosso. Questa sensazione inizialmente insolita diminuisce con il passare del tempo.

### Pulizia

La maggiore quantità di germi, dovuta a sporco/impurità negli inserti degli auricolari e alla formazione di un ambiente caldo-umido all'interno del condotto uditivo, può aumentare il rischio di infezioni del canale uditivo.

- ▶ Pulire regolarmente gli inserti degli auricolari.

### Pericolo di ingestione

- ▶ Tenere fuori dalla portata di bambini e animali domestici i pezzi di piccole dimensioni, ad es. componenti del prodotto, della confezione e degli accessori. Pericolo di soffocamento in caso di ingestione!

### Utilizzo della batteria

#### Pericolo dovuto a calore eccessivo, acqua e sollecitazioni meccaniche

In presenza di calore eccessivo o acqua si corre il rischio di esplosione o potrebbero svilupparsi calore, fiamme, fumo o gas. Simili situazioni possono causare lesioni e danni irreversibili alla batteria.

- ▶ Evitare di esporre la batteria (pacco batterie o batteria integrata) al calore eccessivo, ai raggi solari diretti o al fuoco.
- ▶ Non aprire l'alloggiamento della batteria né tentare di smontarla.
- ▶ Non utilizzare la batteria se si teme che sia stata a contatto con l'acqua.
- ▶ Per caricare la batteria tramite la presa USB tipo C integrata, utilizzare esclusivamente un alimentatore USB 2.0/3.0 da 5 V conforme agli standard (la corrente assorbita è pari a max. 0,5 A).

#### Stoccaggio della batteria

- ▶ Se la batteria deve rimanere inutilizzata per lungo tempo portare la sua carica al 50% circa della massima capacità e conservarla a temperature mai superiori a 30 °C.

### Condizioni ambientali

- ▶ Non esporre il prodotto alla pioggia, alla neve, ai liquidi in genere o all'umidità.

## INFORMAZIONI SU QUESTE ISTRUZIONI

Queste istruzioni illustrano le principali funzioni dei nostri auricolari in-ear Blue BYRD

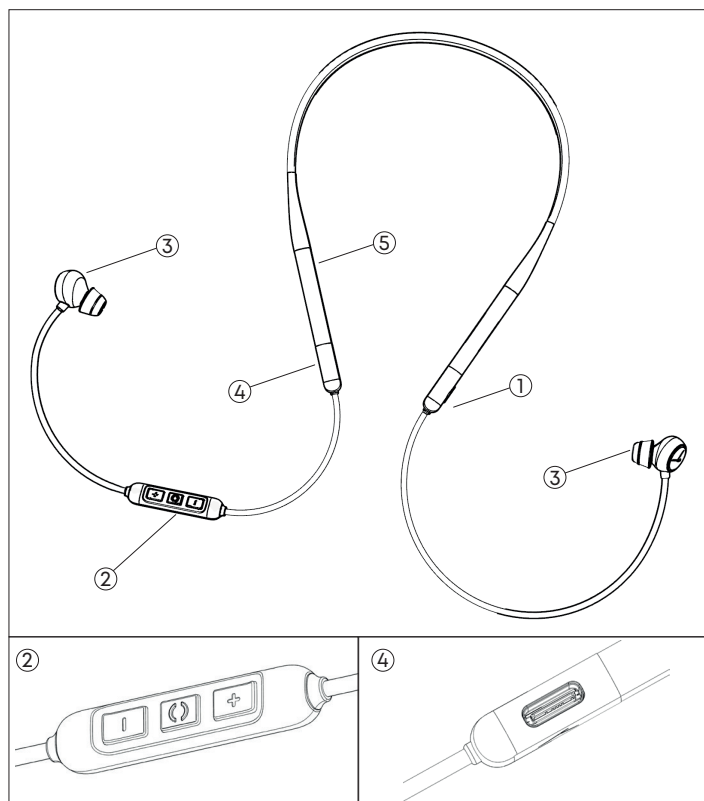
I dati forniti in queste istruzioni si riferiscono alle impostazioni standard della versione 1.0 del software. Potrebbe anche essere disponibile una versione più recente.

- ▶ Per indicazioni sull'aggiornamento del software consultare „Aggiornamento del software“ a pagina 49.

## DOTAZIONE FORNITA

- Auricolari in-ear Blue BYRD con tecnologia Bluetooth®
- Cinque paia di inserti in silicone (XS, S, M, L, XL)
- Cavo USB tipo A su USB tipo C
- Custodia rigida per gli auricolari
- Istruzioni d'uso

## VISTA D'INSIEME DEL PRODOTTO



### 1 Tasto on/off

### 2 Telecomando

[+] / [-] per aumentare / ridurre il volume

() tasto multifunzione

**Microfono** nella parte posteriore del telecomando

### 3 Auricolari con inserti sostituibili

### 4 Presa USB tipo C per cavo (lato inferiore)

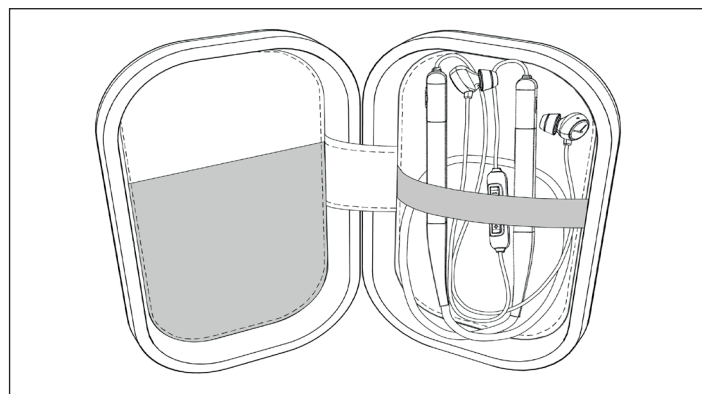
### 5 LED indicatore (lato interno)

## PRIMI PASSAGGI

### Eliminazione dell'imballaggio e conservazione

- ▶ Utilizzare la custodia rigida fornita nella dotazione per conservare gli auricolari in-ear quando non devono essere utilizzati o per portarli con sé assieme agli accessori.

Così si ottiene una protezione ottimale e si evita di danneggiarli.



### Messa in carica della batteria

Per mettere in carica la batteria si consiglia di utilizzare esclusivamente il cavo USB fornito.

1. Collegare gli auricolari in-ear a una presa USB tipo A a propria scelta che sia sotto tensione e conforme agli standard (ad es. un alimentatore USB).
2. Una volta completata la carica staccare il cavo USB.

### LED indicatore del livello di carica:

**Luce rossa lampeggiante:** batteria carica 0 – 30%

**Luce gialla lampeggiante:** batteria carica 30 – 70%

**Luce verde lampeggiante:** batteria carica 70 – 99%

**Luce verde accesa:** batteria carica 100%

### Indicazioni sulla durata della batteria agli ioni di litio

- Una volta completata la ricarica, staccare il cavo USB dal caricabatterie e dagli auricolari in-ear.
- **ATTENZIONE!** Le temperature elevate, soprattutto con un alto livello di carica, possono causare danni irreversibili.
- Se la batteria deve rimanere inutilizzata o deve essere conservata per lungo tempo si consiglia di lasciarla carica al 50% circa e di custodirla a temperature mai superiori a 20 °C.
- Dopo l'uso spegnere il prodotto alimentato dalla batteria.

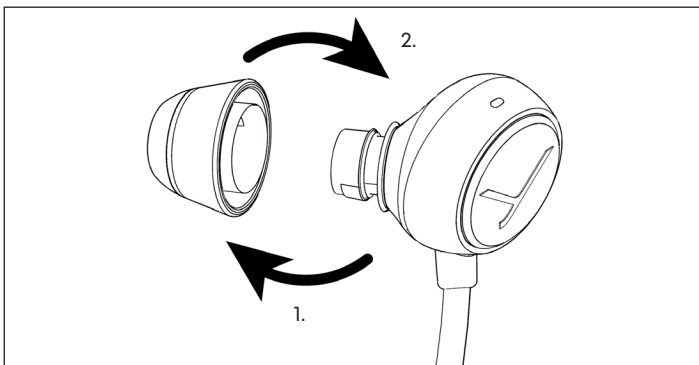


## Selezione/sostituzione degli inserti

La confezione degli auricolari in-ear contiene cinque paia di inserti di cinque misure diverse. La scelta degli inserti adatti per il rispettivo utente è fondamentale per ottenere una vestibilità degli auricolari comoda e sicura, una buona attenuazione dei rumori esterni e il miglior suono possibile.

Se utilizzati regolarmente, è consigliabile sostituire gli inserti ogni tre mesi. Gli inserti di ricambio in silicone e altri materiali possono essere ordinati dal negozio delle parti di ricambio di beyerdynamic, all'indirizzo: [www.beyerdynamic.com/service/spare-parts](http://www.beyerdynamic.com/service/spare-parts)

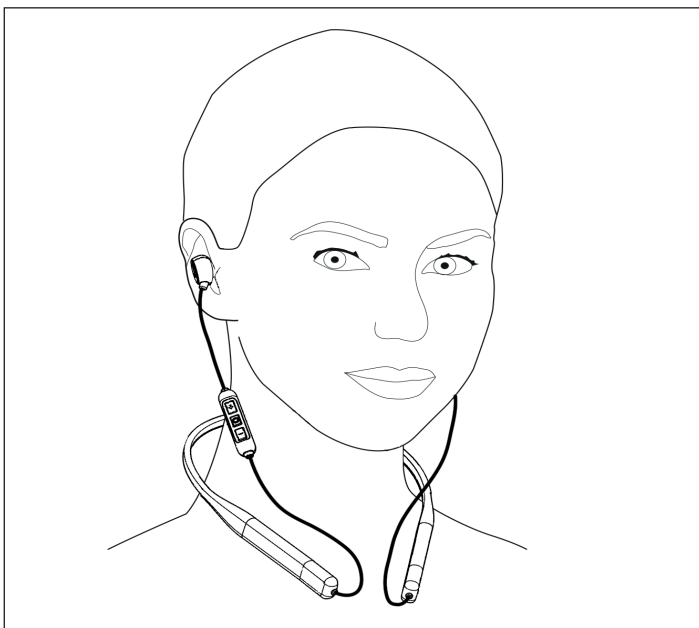
1. Staccare dagli auricolari l'inserto già montato facendo attenzione.
2. Fissare il nuovo inserto sugli auricolari.



## Utilizzo degli auricolari, come indossarli

- Mettere l'archetto intorno al collo e inserire i due auricolari nell'orecchio destro e in quello sinistro così come indicato dalle rispettive diciture.

Una volta indossati gli auricolari devono risultare comodi e stare fermi.



## APP BEYERDYNAMIC MIY

L'app MIY di beyerdynamic viene continuamente perfezionata per adattare il nostro prodotto Blue BYRD alle esigenze personali degli utenti tramite funzioni utili come la personalizzazione del suono di MOSAYC, le statistiche che monitorano le abitudini quotidiane di ascolto e altre impostazioni. Utilizzando la personalizzazione del suono di MOSAYC si nota subito che con gli auricolari Blue BYRD il suono è migliore.



## AGGIORNAMENTO DEL SOFTWARE

- Gli aggiornamenti del software sono facilmente disponibili tramite l'app MIY.

## COMPATIBILITÀ CON I DISPOSITIVI DI RIPRODUZIONE

Gli auricolari in-ear sono compatibili con i dispositivi di riproduzione Bluetooth® che supportano i seguenti profili:

- A2DP (per la trasmissione audio)
- HFP (per la telefonia)
- HSP (per l'uscita voce)
- AVRCP (per la trasmissione dei segnali di comando)

Le funzioni collegate sono disponibili solo se supportate dal dispositivo di riproduzione.

## CODEC AUDIO SUPPORTATI

Nell'ambito del profilo A2DP gli auricolari in-ear supportano i codec audio SBC, AAC e aptX™ Adaptive. Il codec aptX™ Adaptive offre la qualità audio migliore in assoluto.

Per la trasmissione audio si possono utilizzare soltanto quei codec che sono disponibili nel dispositivo di riproduzione.

Il dispositivo di riproduzione e gli auricolari in-ear comunicano automaticamente con il miglior codec comune disponibile secondo l'ordine che segue:

1. aptX™ Adaptive
2. aptX™
3. AAC
4. SBC

La maggior parte dei dispositivi di riproduzione non indica il codec attivo in uso al momento.

## USO

### Accensione e spegnimento

#### Per accendere:

- Premere per 2 secondi il tasto **on/off**.

#### Per spegnere:

- Premere per 4 secondi il tasto **on/off**.



### Accoppiamento (pairing) con un dispositivo di riproduzione

Prima di utilizzare gli auricolari in-ear per la prima volta è necessario collegarli con il proprio cellulare o con un altro dispositivo Bluetooth®. La procedura di pairing può variare da un dispositivo di riproduzione all'altro.

- Attenersi alle istruzioni del rispettivo dispositivo di riproduzione.

#### Creazione del collegamento:

- ✓ Gli auricolari in-ear sono spenti.

1. Premere per 4 secondi il tasto **on/off**.

*Si attiva la modalità Pairing Bluetooth®.*

*La spia a LED lampeggia alternando luce blu e luce rossa.*

2. Attivare la funzione Bluetooth® sul dispositivo di riproduzione ed eventualmente attendere la ricerca di nuovi dispositivi.

3. Nel menu Bluetooth® del dispositivo di riproduzione, tra i dispositivi disponibili selezionare "Blue Byrd (2nd gen.)" e collegare tra loro i due dispositivi.

*Una volta completato il collegamento, ogni 7 secondi la spia a LED lampeggia brevemente con luce blu.*

*In seguito, ad ogni accensione i due dispositivi si collegheranno tra loro se si trovano entro il raggio di copertura.*



Se la connessione Bluetooth® viene meno, la spia a LED lampeggia brevemente con luce blu ogni 3 secondi.

#### Come cancellare l'elenco degli apparecchi già collegati:

- Premere per più di 10 secondi il tasto **on/off**.  
*L'elenco dei dispositivi Bluetooth® già collegati (massimo 8) viene cancellato e gli auricolari in-ear passano alla modalità Pairing Bluetooth®.*

### Connettività multipoint

Gli auricolari in-ear possono essere collegati con più dispositivi Bluetooth® (massimo 8). Inoltre, consentono di stabilire una connessione attiva con massimo due dispositivi contemporaneamente. Tuttavia per la riproduzione audio e la telefonia possono connettersi contemporaneamente con un solo dispositivo. La telefonia ha la priorità rispetto alla riproduzione audio, vale a dire che se si riceve una chiamata la riproduzione audio viene interrotta.

#### Elenco delle priorità durante l'uso di dispositivi di riproduzione (DR):

Prio.	Profilo	Dispositivi di riproduzione (DR)
1	HFP (telefonia)	DR 1 (primo dispositivo connesso)
2	HFP (telefonia)	DR 2 (secondo dispositivo connesso)
3	A2DP (riproduzione audio)	DR 1 (primo dispositivo connesso)
4	A2DP (riproduzione audio)	DR 2 (secondo dispositivo connesso)

#### Configurazione della funzione Multipoint:

1. Collegare gli auricolari in-ear con il primo dispositivo (vedi „Accoppiamento (pairing) con un dispositivo di riproduzione“ a pagina 50).
2. Disattivare la connessione Bluetooth® sul primo dispositivo.
3. Spegnerli gli auricolari in-ear.
4. Collegare gli auricolari in-ear con il secondo dispositivo (vedi „Accoppiamento (pairing) con un dispositivo di riproduzione“ a pagina 50).
5. Attivare di nuovo la connessione Bluetooth® del primo dispositivo che si collegherà automaticamente con gli auricolari in-ear.  
*Se entrambi i dispositivi risultano accoppiati con gli auricolari in-ear, ad ogni accensione successiva gli auricolari in-ear si collegheranno automaticamente con entrambi i dispositivi.*

#### Utilizzo della funzione Multipoint:

- ✓ Gli auricolari in-ear sono stati collegati a due apparecchi e la riproduzione di contenuti multimediali è stata appena attivata.
- Premere brevemente il tasto **( )** per 1 volta per accettare una chiamata in arrivo.
- ✓ Gli auricolari in-ear sono stati collegati a due apparecchi ed è stata appena terminata una chiamata.
- Premere brevemente il tasto **( )** per 1 volta per avviare la riproduzione di contenuti multimediali interrotta da ultima.

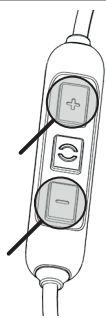


## Regolazione del volume

### Come alzare/abbassare il volume:

- ▶ Regolazione graduale: premere brevemente il tasto **[+]** / **[-]**.
- ▶ Regolazione continua: tenere premuto il tasto **[+]** / **[-]**.

*Gli auricolari emettono un segnale acustico quando si raggiunge il volume massimo/minimo.*



## Riproduzione di contenuti multimediali

Le funzioni illustrate dipendono dal dispositivo di riproduzione utilizzato e dal software del lettore multimediale, pertanto potrebbero non essere disponibili.

### Per avviare / mettere in pausa la riproduzione:

- ▶ premere brevemente il tasto **( )** per 1 volta.

### Per riprodurre il brano successivo / precedente:

- ▶ premere brevemente il tasto **( )** per 2 / 3 volte.

### Per scorrere in avanti / indietro:

- ▶ premere brevemente il tasto **( )** per 2 / 3 volte e tenere premuto.



## Attivazione dell'assistente personale

### Per attivare l'assistente personale del proprio smartphone o tablet:

- ▶ premere per 2 secondi il tasto **( )**.



## Gestione delle chiamate

### Per ricevere/terminare una chiamata (1):

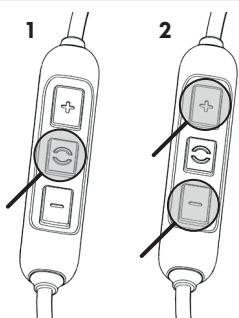
- ▶ premere brevemente il tasto **( )**.

### Per rifiutare una chiamata:

- ▶ premere per 2 secondi il tasto **( )**.

### Per aumentare / ridurre il volume della chiamata (2):

- ▶ premere il tasto **[+]** / **[-]**.



## Ripristino delle impostazioni di fabbrica

Quando si ripristinano le impostazioni di fabbrica il sistema cancella tutti i dati personali!

### Per ripristinare le impostazioni di fabbrica:

- ▶ Premere per 4 secondi il tasto **[+]** e il tasto **[-]** contemporaneamente.



## Panoramica delle funzioni e dei comandi

Funzione	Comando
Alzare il volume	▶ Premere il tasto <b>[+]</b>
Abbassare il volume	▶ Premere il tasto <b>[-]</b>
Accendere	▶ Premere per 2 secondi il tasto <b>on/off</b>
Spegnere	▶ Premere per 4 secondi il tasto <b>on/off</b>
Avviare/arrestare la riproduzione di contenuti multimediali	▶ Premere brevemente il tasto <b>( )</b> per 1 volta
Passare al brano successivo	▶ Premere brevemente il tasto <b>( )</b> per 2 volte
Passare al brano precedente	▶ Premere brevemente il tasto <b>( )</b> per 3 volte
Andare avanti	▶ Premere brevemente il tasto <b>( )</b> per 2 volte e tenerlo premuto
Andare indietro	▶ Premere brevemente il tasto <b>( )</b> per 3 volte e tenerlo premuto
Ricevere/terminare una chiamata	▶ Premere brevemente il tasto <b>( )</b> per 1 volta
Rifiutare una chiamata	▶ Premere per 2 secondi il tasto <b>( )</b>
Attivare l'assistente personale (Siri, Google Assistant ecc.)	▶ Premere per 2 secondi il tasto <b>( )</b>
Attivare o disattivare le istruzioni vocali	▶ Premere per 2 secondi il tasto <b>( )</b> e il tasto <b>[+]</b> contemporaneamente
Ripristinare le impostazioni di fabbrica	▶ Premere per 4 secondi il tasto <b>[+]</b> e il tasto <b>[-]</b> contemporaneamente

## Panoramica delle spie a LED

Spia a LED	Funzione
Luce rossa/gialla/verde lampeggiante	Ricarica
Luce verde accesa fissa	Ricarica completata
Luce rossa accesa una volta per 1,5 sec	Spegnimento
Luce rossa che lampeggia velocemente	Batteria quasi scarica
Luce blu e luce rossa che lampeggiano alternate	Connessione in modalità Bluetooth® attiva
Luce blu che lampeggia brevemente ogni 7 sec	Connessione Bluetooth® attiva
Luce blu che lampeggia brevemente ogni 3 sec	Connessione Bluetooth® venuta meno
Luce blu che lampeggia brevemente ogni 7 sec	Riproduzione contenuti multimediali attiva
Luce blu che lampeggia velocemente	Chiamata in arrivo
Luce blu che lampeggia brevemente ogni 7 sec	Chiamata attiva
Luce rosa accesa 3 volte ogni sec	Modalità aggiornamento del software attiva

## Impostazioni per un suono ottimale

Per ottenere una qualità audio ottimale con gli auricolari in-ear tramite Bluetooth® tenere presenti i consigli pratici che seguono:

1. Regolare il volume degli auricolari in-ear al minimo e quello del dispositivo di riproduzione al massimo.
2. Subito dopo regolare solo il volume degli auricolari in-ear e non regolare più quello del dispositivo di riproduzione.

Questo vale solo per i dispositivi di riproduzione che non sincronizzano automaticamente il volume audio. Per i dispositivi di riproduzione con sincronizzazione automatica del volume (per es. iPhone, iPad, vari smartphone Android), il volume degli auricolari è sempre identico a quello del dispositivo di riproduzione.

3. Disattivare gli effetti audio che potrebbero essere presenti nel software del dispositivo di riproduzione.

## AIUTO IN CASO DI PROBLEMI / FAQ

### Gli auricolari non si accendono

La batteria è scarica o la carica non è ancora sufficiente. ► Mettere in carica la batteria.

### Non si sente l'audio.

Connessione Bluetooth® assente. ► Collegare gli auricolari in-ear con il dispositivo di riproduzione.

### Gli auricolari in-ear non compaiono nell'elenco dei dispositivi Bluetooth® disponibili nel dispositivo di riproduzione.

Gli auricolari in-ear sono spenti. ► Accendere gli auricolari in-ear.

Gli auricolari non sono in modalità connessione. ► Impostare negli auricolari la modalità di connessione.

È stata già creata una connessione Bluetooth® con un altro dispositivo di riproduzione. ► Staccare la connessione Bluetooth® con l'altro dispositivo di riproduzione e collegare gli auricolari con il dispositivo desiderato.

### Il volume di riproduzione è troppo basso, anche se sugli auricolari è regolato al massimo

Il segnale audio trasmesso è troppo basso. ► Regolare al massimo il volume di riproduzione sul dispositivo di riproduzione.

### Il suono è forte e la riproduzione dei bassi scadente

L'isolamento degli auricolari non è sufficiente. ► Scegliere gli inserti adatti a sinistra e a destra finché il suono non è perfetto.

### La portata senza fili è troppo ridotta o si verificano interruzioni della connessione

Ci sono interferenze con altri dispositivi. ► Rispettare la distanza da router WLAN e apparecchi a microonde.  
► Non sostare tra il dispositivo di riproduzione e gli auricolari in-ear.

## DURATA DELLA BATTERIA

- Una volta completata la ricarica, staccare il cavo di collegamento USB dal caricabatterie e dagli auricolari in-ear.
- Le temperature elevate, soprattutto con un alto livello di carica, possono causare danni irreversibili.
- Per lo stoccaggio delle batterie vedi Seite 47.
- Dopo l'uso spegnere il prodotto alimentato dalla batteria.

## PULIZIA E MANUTENZIONE

- Per pulire tutte le parti degli auricolari in-ear utilizzare un panno morbido inumidito con un detergente a base di alcol. Evitare di far penetrare liquidi all'interno degli auricolari o nel convertitore audio.
- Non utilizzare detergenti che contengono solventi poiché potrebbero danneggiare la superficie.

## PARTI DI RICAMBIO

Le parti di ricambio per gli auricolari in-ear sono disponibili all'indirizzo [www.beyerdynamic.com/service](http://www.beyerdynamic.com/service).

## SMALTIMENTO

Questo simbolo sul prodotto, nelle istruzioni d'uso o sulla confezione indica che le apparecchiature elettriche ed elettroniche devono essere smaltite separatamente dai rifiuti domestici alla fine del loro ciclo di vita. Per ulteriori informazioni, contattare le autorità locali o il rivenditore presso il quale è stato acquistato il prodotto.



- ▶ Quando si smaltiscono batterie usate o apparecchi con batterie attenersi sempre alle disposizioni vigenti. La restituzione è gratuita.
- ▶ Smaltire solo batterie scariche.

## DICHIARAZIONE DI CONFORMITÀ UE

Con il presente documento beyerdynamic dichiara che questo dispositivo radio è conforme alla direttiva europea 2014/53/EU.

- ▶ Il testo integrale della dichiarazione di conformità UE è disponibile in internet all'indirizzo: [www.beyerdynamic.com/cod](http://www.beyerdynamic.com/cod)

## SPECIFICHE

Gamma di frequenze Bluetooth®	2,400 – 2,4835 GHz
Potenza di trasmissione	10 dBm
Temperatura di esercizio	da -10 a +60 °C
Temperatura di ricarica	da 0 a +45 °C

- ▶ Ulteriori informazioni relative alle specifiche sono disponibili al seguente sito: [www.beyerdynamic.com/blue-byrd](http://www.beyerdynamic.com/blue-byrd)

## REGISTRAZIONE DEL PRODOTTO

Al sito [www.beyerdynamic.com](http://www.beyerdynamic.com) è possibile registrare i propri auricolari in-ear indicando il numero di serie.

## DISPOSIZIONI DI GARANZIA

beyerdynamic offre una garanzia limitata per il prodotto originale beyerdynamic acquistato.

- ▶ Indicazioni dettagliate sulle disposizioni di garanzia di beyerdynamic sono fornite in internet all'indirizzo <https://global.beyerdynamic.com/service/warranty>



# **Blue BYRD** **2:a generationen**

**IN-EAR-HÖRLURAR**

BRUKSANVISNING

# INNEHÅLL

<b>SÄKERHETSANVISNINGAR</b> .....	<b>57</b>	<b>HJÄLP MED PROBLEM/VANLIGT STÄLLDA FRÅGOR</b> .....	<b>62</b>
Avsedd användning.....	57	<b>BATTERIERNAS LIVSLÄNGD</b> .....	<b>62</b>
Ställa in volymen.....	57	<b>RENGÖRING OCH SKÖTSEL</b> .....	<b>62</b>
Minskat omgivningsljud.....	57	<b>RESERVDELAR</b> .....	<b>62</b>
Förändrad akustisk uppfattning.....	57	<b>AVFALLSHANTERING</b> .....	<b>63</b>
Rengöring.....	57	<b>EU-FÖRSÄKRAN OM ÖVERENSSTÄMMELSE</b> .....	<b>63</b>
Risk för sväljning.....	57	<b>TEKNISKA DATA</b> .....	<b>63</b>
Använda batterierna.....	57	<b>PRODUKTREGISTRERING</b> .....	<b>63</b>
Miljöförhållanden.....	57	<b>GARANTIVILLKOR</b> .....	<b>63</b>
<b>OM DENNA BRUKSANVISNING</b> .....	<b>58</b>		
<b>LEVERANSINNEHÅLL</b> .....	<b>58</b>		
<b>PRODUKTÖVERSIKT</b> .....	<b>58</b>		
<b>KOMMA IGÅNG</b> .....	<b>58</b>		
Ta upp ur förpackningen och förvara.....	58		
Ladda batteriet.....	58		
Välja/byta höljen.....	59		
Sätta i och använda hörsnäckor.....	59		
<b>APP BEYERDYNAMIC MIY</b> .....	<b>59</b>		
<b>MJUKVARUUPPDATERING</b> .....	<b>59</b>		
<b>KOMPATIBILITET TILL SPELARE</b> .....	<b>59</b>		
<b>LJUD-CODECS SOM STÖDS</b> .....	<b>59</b>		
<b>ANVÄNDNING</b> .....	<b>60</b>		
Slå på och av.....	60		
Koppla med en spelare (parkoppla).....	60		
Multi-Point-användning.....	60		
Ställa in volymen.....	61		
Spela upp media.....	61		
Ringa personliga assistenter.....	61		
Styra samtal.....	61		
Återställa fabriksinställningarna.....	61		
Översikt över driftsfunktionerna.....	61		
Översikt över LED-visningarna.....	62		
Inställningar för bästa ljud.....	62		



Tack för ditt förtroende och för att du bestämt dig för att köpa In-Ear-hörlurarna Blue BYRD.

## SÄKERHETSANVISNINGAR

- ▶ Läs igenom den här bruksanvisningen noggrant och fullständigt innan du använder produkten.
- ▶ Observera alla givna anvisningar, särskilt de som gäller säker användning av produkten.
- ▶ Företaget beyerdynamic GmbH & Co. KG tar inget ansvar för skador på produkten eller för personskador på grund av oaktsam, icke avsedd, felaktig eller av tillverkaren inte angiven användning av produkten.
- ▶ Använd inte produkten om den är defekt.

### Avsedd användning

Använd inte produkten annat än enligt beskrivningen i denna bruksanvisning. beyerdynamic tar inget ansvar för skador på produkten eller för personskador på grund av oaktsam, icke avsedd, felaktig eller av tillverkaren inte angiven användning av produkten.

beyerdynamic ansvarar inte för skador på USB-enheten, som inte motsvarar USB-specifikationerna.

beyerdynamic ansvarar inte för skador från frånkopplingar på grund av tomma eller gamla batterier eller för att Bluetooth®-sändningsområdet överskrids.

Observera även respektive landsspecifika föreskrifter innan idrifttagning.

### Ställa in volymen



Höga ljudvolymen under för lång tid kan skada hörseln permanent. Eftersom In-Ear-hörlurarna sitter direkt i hörselgången, kan de vara 6 – 9 dB högre än klassiska hörlurar, vilket ökar risken för hörselskador.

- ▶ Ställ in volymen på minimum innan du sätter in hörsnäckorna. Höj volymen först när hörsnäckorna sitter på plats.
- ▶ Använd inte In-Ear-hörlurarna med hög volym under en längre tid. När du lyssnar och pratar i normal ton med In-Ear-hörlurarna ska din egen röst fortfarande höras.
- ▶ Sänk volymen vid tinnitus. Konsultera läkare vid behov.

Med beyerdynamic MIY-appen kan du anpassa Bluetooth®-hörlurarna som du vill ha dem. Appens "statistikfunktion" registrerar ljudtrycksnivån som dina öron utsätts för med tiden. Den gäller dock bara ljudtrycksnivån som uppstår i hörlurarnas högtalare och inte den som kommer från externa ljudkällor.

### Minskat omgivningsljud

In-Ear-hörlurar minskar omgivningsljudet drastiskt. Användning av In-Ear-hörlurar medan man kör bil innebär en stor potentiell risk. Användarens hörsel får aldrig begränsas så mycket att trafiksäkerheten riskeras.

- ▶ Använd inte In-Ear-hörlurarna inom aktionsområdet för potentiellt farliga maskiner och arbetsredskap.
- ▶ Använd inte In-Ear-hörlurarna i situationer då hörselförmågan inte får vara begränsad. Framförallt inte i trafiken, när du korsar en järnvägs korsning eller på en byggarbetsplats.

### Förändrad akustisk uppfattning

Många människor behöver vänja sig vid att ha på sig In-Ear-hörlurar, eftersom den akustiska uppfattningen av ens egen röst och kropp, liksom ljud som uppstår i innerörat när man går från den "normala" situationen utan In-Ear-hörlurar blir annorlunda. Denna initialt ovanliga känsla minskar dock oftast efter att man använt dem en tid.

### Rengöring

På grund av smutsiga höljen och om ett varmt, fuktigt klimat bildas i hörselgångarna kan en ökad bakterienivå öka risken för en infektion i hörselgången.

- ▶ Rengör höljen regelbundet.

### Risk för sväljning

- ▶ Förvara smådelar som produkt-, förpacknings- och tillbehör delar utom räckhåll för barn och husdjur. Vid sväljning finns risk för kvävning!

### Använda batterierna

#### Fara på grund av värme, vatten och mekanisk belastning

Vid för hög värme, vatten och för hög belastning finns risk för explosion, värme-, brand-, rök- eller gasutveckling. Följden kan bli personskador och irreversibla skador på batteriet.

- ▶ Utsätt inte batteriet (batteripaket eller integrerat batteri) för överdriven värme, direkt solljus eller eld.
- ▶ Öppna inte skalet och ta inte isär batteriet.
- ▶ Använd inte batteriet om det kan ha kommit i kontakt med vatten.
- ▶ Använd endast en USB 2.0/3.0 standardkompatibel 5 V-nätadapter (strömupptagningen är max. 0,5 A) i det integrerade USB-uttaget typ C för att ladda batteriet.

#### Förvara batteriet

- ▶ Om batteriet inte ska användas under en längre tid, ställ in laddningsnivån på ungefär 50 % av den maximala kapaciteten och förvara vid temperaturer upp till max. 30 °C.

### Miljöförhållanden

- ▶ Utsätt inte produkten för regn, snö, vätskor eller fukt.

## OM DENNA BRUKSANVISNING

Den här bruksanvisningen beskriver In-Ear-hörlurarnas viktigaste funktioner Blue BYRD

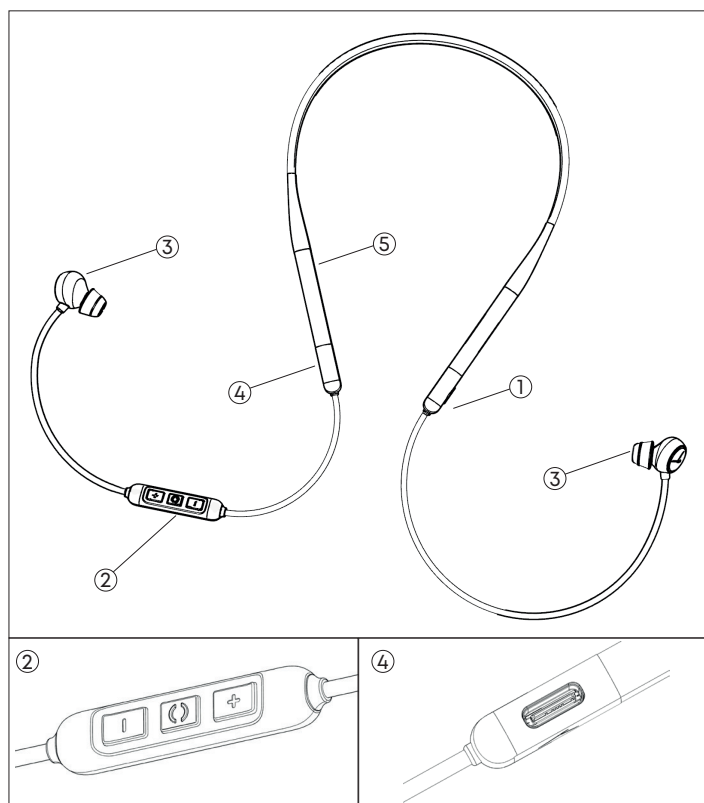
Informationen i denna bruksanvisning gäller mjukvaruversionens standardinställningar 1.0. Det kan finnas en nyare version.

- Information om mjukvaruuppdatering finns på „Mjukvaruuppdatering“ på sidan 59.

## LEVERANSINNEHÅLL

- In-Ear-hörlurar Blue BYRD med Bluetooth®
- Fem par silikonhöljen (XS, S, M, L, XL).
- Sladd USB-A för USB-C
- Hårt fodral för förvaring
- Bruksanvisning

## PRODUKTÖVERSIKT



### 1 Av/på-knapp

### 2 Fjärrkontroll

[+]/[-] höja/sänka volymen

() multifunktionsknapp

Mikrofon på baksidan av fjärrkontrollen

### 3 Hörsnäckor med utbytbara höljen.

### 4 USB-C-anslutning för sladd (undersida)

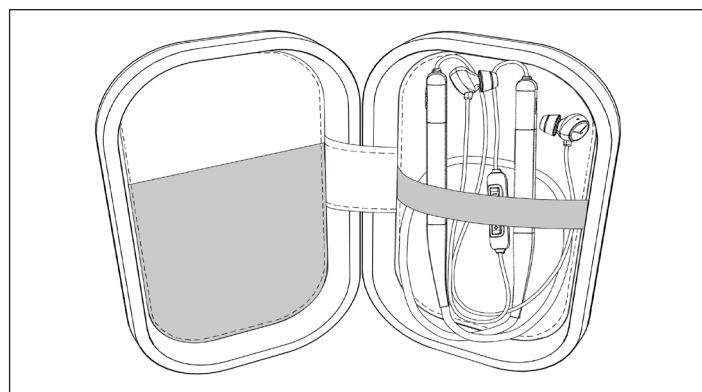
### 5 LED-visning (insida)

## KOMMA IGÅNG

### Ta upp ur förpackningen och förvara

- Förvara In-Ear-hörlurarna i det medföljande hårda fodralet när de inte används och vid transport.

Detta garanterar bästa skydd och förhindrar skador.



### Ladda batteriet

Vi rekommenderar att bara ladda batteriet med den medföljande USB-sladden.

1. Anslut In-Ear-hörlurarna med den medföljande sladden till ett valfritt standardkompatibelt strömförande USB-A-uttag (t.ex. USB-nätadapter).
2. Ta ur USB-sladden efter laddningen.

### LED-visning av laddningsnivån:

**Blinkar rött:** Batteriet laddat 0 – 30 %

**Blinkar gult:** Batteriet laddat 30 – 70 %

**Blinkar grönt:** Batteriet laddat 70 – 99 %

**Lyser grönt:** Batteriet laddat 100 %

### Information om litiumjonbatteriets livslängd

- Lossa USB-sladden från laddaren och In-Ear-hörlurarna när laddningen är klar.
- **SE UPP!** Höga temperaturer, framför allt vid hög laddningsnivå, kan leda till irreversibla skador.
- Om batteriet inte används på länge eller lagras, rekommenderar vi att batteriet laddas till cirka 50 % och förvaras vid en temperatur på max 20 °C.
- Stäng av den batteriladdade produkten efter användning.

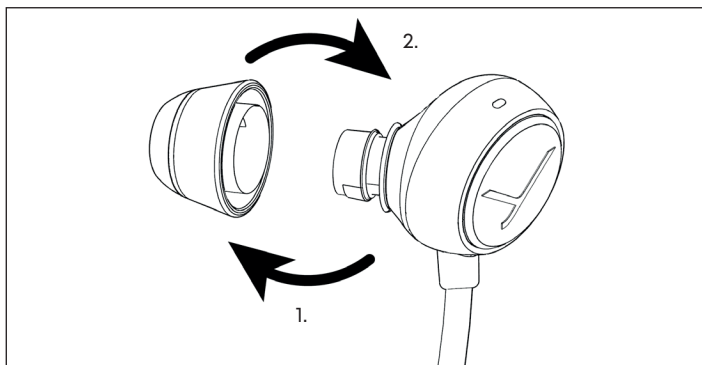
## Välja/byta höljen

I leveransen för In-Ear-hörlurarna ingår höljen i fem olika storlekar. Det är viktigt att välja rätt höljen för att de ska sitta bekvämt och säkert, utestänga omgivande ljud och för att få ett så bra ljud som möjligt.

Vid regelbunden användning rekommenderas att höljena byts var tredje månad. Ersättningshöljen av silikon och andra material kan beställas från beyerdynamic i reservdelsshopen:

[www.beyerdynamic.com/service/spare-parts](http://www.beyerdynamic.com/service/spare-parts)

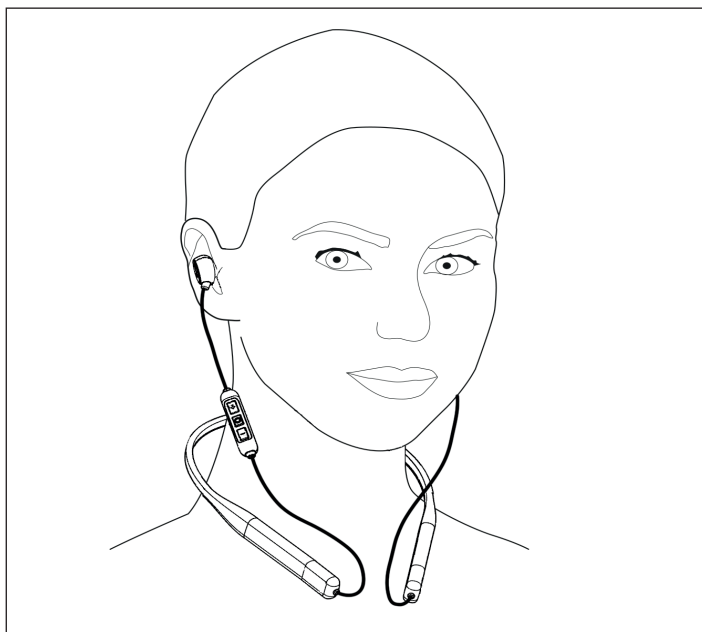
1. Dra försiktigt av det monterade höljet från hörsnäckan.
2. Sätt på ett nytt hölje på hörsnäckan.



## Sätta i och använda hörsnäckor

- Lägg bygeln runt nacken och sätt i hörsnäckorna i höger och vänster öra enligt märkningen.

Hörsnäckorna ska sitta bekvämt och säkert.



## APP BEYERDYNAMIC MIY

Appen MIY från beyerdynamic utvecklas ständigt för att anpassa dina Blue BYRD genom användbara funktioner som MOSAYC personlig ljudanpassning, spåringsstatistik för dina dagliga lyssningsvanor och andra inställningar till dina personliga behov. Om du använder MOSAYC personlig ljudanpassning, kommer du att tycka att din Blue BYRD låter ännu bättre.



## MJUKVARUUPPDATERING

- Mjukvaruuppdateringen står bekvämt till ditt förfogande via appen MIY.

## KOMPATIBILITET TILL SPELARE

In-Ear-hörlurarna är kompatibla med Bluetooth®-spelare, som stödjer följande profiler:

- A2DP (för ljudöverföring)
- HFP (för telefoni)
- HSP (röstuppspelning)
- AVRCP (för överföringen av styrsignaler)

De därmed kopplade funktionerna är bara tillgängliga, om de stöds av spelaren.

## LJUD-CODECS SOM STÖDS

Inom profilen A2DP stödjer In-Ear-hörlurarna ljud-codecs SBC, AAC och aptX™ Adaptive. Den bästa ljudkvaliteten har aptX™ Adaptive.

Endast sådana codecs för ljudöverföringen som finns på spelaren kan användas.

Spelare och In-Ear-hörlurar kommunicerar automatiskt om bästa gemensamt tillgängliga codec i följande ordning:

1. aptX™ Adaptive
2. aptX™
3. AAC
4. SBC

De flesta spelare visar inte vilken codec som används aktivt.

## ANVÄNDNING

### Slå på och av

#### Påslagning:

- ▶ Tryck på knappen **PÅ/AV** i 2 sek.

#### Slå av:

- ▶ Tryck på knappen **PÅ/AV** i 4 sek.



### Koppla med en spelare (parkoppla)

Innan du använder In-Ear-hörlurarna första gången måste de kopplas till din mobiltelefon eller en annan Bluetooth®-kompatibel enhet. Kopplings sättet kan skilja sig mellan de olika spelarna.

- ▶ Se bruksanvisningen för spelaren.

#### Upprätta kopplingen:

- ✓ In-Ear-hörlurarna är avstängda.

1. Tryck på knappen **PÅ/AV** i 4 sek. *Bluetooth®-parningsläge startar. LED-visning blinkar omväxlande blått och rött.*
2. Aktivera Bluetooth®-funktionen på spelaren och sök vid behov efter nya enheter.
3. Välj "Blue Byrd (2nd gen.)" bland tillgängliga spelare i Bluetooth®-menyn och koppla ihop de båda enheterna.



*Efter lyckad anslutning blinkar LED-lampan kort blått var sjunde sekund. Vid alla senare påslagningar kopplas de båda enheterna ihop så snart de är inom räckhåll.*

Om Bluetooth®-anslutningen har tappats, blinkar LED-lampan kort blått var tredje sekund.

#### Radera lista över redan ihopkopplade enheter:

- ▶ Tryck på knappen **PÅ/AV** längre än 10 sek. *Listan över redan kopplade Bluetooth®-enheter (maximalt 8) raderas och In-Ear-hörlurarna växlar till Bluetooth®-parningsläget.*

### Multi-Point-användning

In-Ear-hörlurarna kan kopplas med upp till 8 Bluetooth®-kompatibla enheter. En aktiv anslutning är möjlig samtidigt med max två enheter. Musikuppspelning och telefoni är dock bara möjlig med en enhet i taget. Telefoni har då prioritet före musikuppspelning, vilket innebär att musiken avbryts vid ett samtal.

#### Prioritetslista vid användning av spelare (SP):

Prio.	Profil	Spelare (SP)
1	HFP (telefoni)	SP 1 (först kopplad enhet)
2	HFP (telefoni)	SP 2 (som andra kopplade enhet)
3	A2DP (musikuppspelning)	SP 1 (först kopplad enhet)
4	A2DP (musikuppspelning)	SP 2 (som andra kopplade enhet)

#### Ställa in Multi-Point:

1. Anslut In-Ear-hörlurarna med den första enheten (se „Koppla med en spelare (parkoppla)“ på sidan 60).
2. Avaktivera Bluetooth®-anslutningen på den första enheten.
3. Stäng av In-Ear-hörlurarna.
4. Anslut In-Ear-hörlurarna med den andra enheten (se „Koppla med en spelare (parkoppla)“ på sidan 60).
5. Aktivera Bluetooth®-anslutningen på den första enheten igen, så att den ansluts automatiskt med In-Ear-hörlurarna. *När båda enheterna är kopplade med In-Ear-hörlurarna, ansluts In-Ear-hörlurarna automatiskt med båda enheterna varje gång de slås på.*

#### Använda Multi-Point:

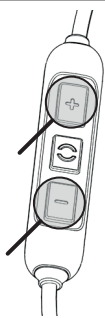
- ✓ Du har anslutit In-Ear-hörlurarna med två enheter och just aktiverat mediauppspelningen.
- ▶ Tryck en gång kort på knappen **(+)**, för att ta emot ett inkommande samtal.
- ✓ Du har anslutit In-Ear-hörlurarna med två enheter och just avslutat ett samtal.
- ▶ Tryck en gång kort på knappen **(-)**, för att starta den mediauppspelning som spelades upp sist.



## Ställa in volymen

### Höja/sänka volymen:

- ▶ Gradvis: Tryck kort på knappen **[+]/[-]**.
- ▶ Kontinuerligt: Håll knappen **[+]/[-]** intryckt. En ljudsignal hörs när max/min volym har uppnåtts.



## Spela upp media

De beskrivna funktionerna beror på vilka spelare som används samt spelarens programvara och är kanske inte tillgängliga.

### Starta/pausa uppspelning:

- ▶ Tryck en gång kort på knappen **( )**.

### Spela nästa/föregående titel:

- ▶ Tryck två/tre gånger kort på knappen **( )**.

### Spola framåt/spola bakåt:

- ▶ Tryck två/tre gånger kort på knappen **( )**, håll sedan kvar.



## Ringa personliga assistenter

### Ringa personliga assistenter för din smartphone eller surfplatta:

- ▶ Tryck på knappen **( )** i 2 sek.



## Styra samtal

### Ta emot/avsluta samtal (1):

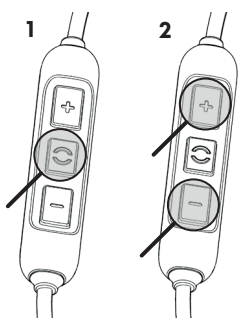
- ▶ Tryck kort på knappen **( )**.

### Avvisa ett samtal:

- ▶ Tryck på knappen **( )** i 2 sek.

### Höja/sänka ljudvolymen för samtal (2):

- ▶ Tryck på knappen **[+]/[-]**.



## Återställa fabriksinställningarna

När du utför en fabriksåterställning raderas alla personuppgifter!

### Återställa fabriksinställningarna:

- ▶ Tryck samtidigt på knappen **[+]** och knappen **[-]** i 4 sek.



## Översikt över driftsfunktionerna

Funktion	Användning
Höja ljudvolymen	▶ Tryck på knappen <b>[+]</b>
Sänka ljudvolymen	▶ Tryck på knappen <b>[-]</b>
Slå på	▶ Tryck på knappen <b>PÅ/AV</b> i 2 sek
Stäng av	▶ Tryck på knappen <b>PÅ/AV</b> i 4 sek
Starta/stoppa mediauppspelning	▶ Tryck en gång kort på knappen <b>( )</b>
Hoppa till nästa titel	▶ Tryck två gånger kort på knappen <b>( )</b>
Hoppa till föregående titel	▶ Tryck tre gånger kort på knappen <b>( )</b>
Snabbspola framåt	▶ Tryck två gånger kort på knappen <b>( )</b> och håll sedan kvar
Snabbspola bakåt	▶ Tryck tre gånger kort på knappen <b>( )</b> och håll sedan kvar
Ta emot/avsluta samtal	▶ Tryck en gång kort på knappen <b>( )</b>
Avvisa inkommande samtal	▶ Tryck på knappen <b>( )</b> i 2 sek
Starta personliga assistenter (Siri, Google Assistant osv.)	▶ Tryck på knappen <b>( )</b> i 2 sek
Slå på eller av röstmeddelanden	▶ Tryck på knappen <b>( )</b> och samtidigt på knappen <b>[+]</b> i 2 sek
Återställa fabriksinställningarna	▶ Tryck på knappen <b>[+]</b> och samtidigt på knappen <b>[-]</b> i 4 sek

## Översikt över LED-visningarna

LED-visning	Funktion
Blinkar rött/gult/grönt	Ladda
Lyser konstant grönt	Fulladdad
Lyser rött en gång 1,5 sek	Stäng av
Blinkar snabbt rött	Batteriet är nästan tomt
Blinkar omväxlande blått och rött	Bluetooth®-anslutningsläge aktivt
Blinkar kort blått var sjunde sek	Bluetooth®-anslutning aktiv
Blinkar kort blått var tredje sek	Bluetooth®-anslutning tappad
Blinkar kort blått var sjunde sek	Mediauppspelning aktiv
Blinkar snabbt blått	Inkommande samtal
Blinkar kort blått var sjunde sek	Samtal aktivt
Lyser tre ggr rosa per sek	Mjukvaruuppdateringsläge aktivt

## Inställningar för bästa ljud

För att få bästa möjliga ljud i In-Ear-hörlurarna med Bluetooth® ska följande praktiska anvisningar beaktas:

1. Ställ in volymen för In-Ear-hörlurarna på minimum, för spelaren på maximum.
2. Reglera sedan bara volymen på In-Ear-hörlurarna och inte mer på spelaren.

Detta gäller bara på spelare som inte synkroniserar volymen automatiskt. För spelare som synkroniserar volymen automatiskt (t.ex. iPhone, iPad, diverse Android-smartphones), är volymen för hörlurarna alltid densamma som för spelaren.

3. Avaktivera eventuella ljudeffekter i spelarens programvara.

## HJÄLP MED PROBLEM/VANLIGT STÄLLDA FRÅGOR

### In-Ear-hörlurarna kan inte sättas på

Batteriet är tomt eller bara svagt laddat. ► Ladda batteriet.

### Det hörs inget ljud.

Det finns ingen Bluetooth®-anslutning. ► Anslut In-Ear-hörlurarna med spelaren.

### In-Ear-hörlurarna visas inte på tillgängliga Bluetooth®-enheter i spelaren.

In-Ear-hörlurarna är avstängda. ► Sätt på In-Ear-hörlurarna.

In-Ear-hörlurarna är inte i anslutningsläge. ► Koppla In-Ear-hörlurarna i anslutningsläget.

Det finns redan en Bluetooth®-anslutning till en annan spelare. ► Koppla från Bluetooth®-anslutningen till annan spelare och anslut In-Ear-hörlurarna till den önskade enheten.

### Uppspelningen är för tyst, trots att den är inställd på maximum på In-Ear-hörlurarna.

Den uppspelade ljudsignalen är för låg. ► Ställ in uppspelningsvolymen för spelaren på maximum.

### Ljudet är för vasst och basuppspelningen är för låg

Hörsnäckornas isolering räcker inte till. ► Välj lämpligt hölje för vänster och höger tills ljudet är perfekt.

### Den sladdlösa räckvidden är för dålig eller det uppstår anslutningsavbrott

Det finns störningar med andra enheter. ► Håll avstånd till WLAN-routrar och mikrovågsenheter.

► Stå inte mellan spelaren och in-Ear-hörlurarna.

## BATTERIERNAS LIVSLÄNGD

- Lossa USB-anslutningssladden från laddaren och In-Ear-hörlurarna när laddningen är klar.
- Höga temperaturer, framför allt vid hög laddningsnivå, kan leda till irreversibla skador.
- Förvara batteriet, se Seite 57.
- Stäng av den batteriladdade produkten efter användning.

## RENGÖRING OCH SKÖTSEL

- Använd en mjuk trasa fuktad med alkoholrengöringsmedel för att rengöra In-Ear-hörlurarnas delar. Se till att ingen vätska tränger in i skalet eller ljudomvandlaren.
- Använd ingen lösningsmedelsbaserad rengöring eftersom den kan skada ytan.

## RESERVDELAR

Reservdelar till In-Ear-hörlurarna finns på [www.beyerdynamic.com/service](http://www.beyerdynamic.com/service).

## AVFALLSHANtering

Den här symbolen på produkten, i bruksanvisningen eller på förpackningen innebär att din elektriska och elektroniska utrustning vid slutet av dess livslängd ska kasseras separat från ditt hushållsavfall. För mer information, kontakta lokala myndigheter eller butiken där du köpte produkten.



- ▶ Kassera alltid förbrukade batterier eller enheter med batterier enligt gällande föreskrifter. Återlämningen är gratis.
- ▶ Kassera bara urladdade batterier.

## EU-FÖRSÄKRAN OM ÖVERENSSTÄMMELSE

Härmed förklarar beyerdynamic att radioöverföringsenheten uppfyller EU-direktivet 2014/53/EU.

- ▶ Den fullständiga texten till EU-försäkran om överensstämmelse finns på nätet på: [www.beyerdynamic.com/cod](http://www.beyerdynamic.com/cod)

## TEKNISKA DATA

Bluetooth®-frekvensområde	2,400 – 2,4835 GHz
Sändareffekt	10 dBm
Driftstemperaturområde	-10 till +60 °C
Laddningstemperaturområde	0 till +45 °C

- ▶ Mer information om tekniska data finns på nätet på: [www.beyerdynamic.com/blue-byrd](http://www.beyerdynamic.com/blue-byrd)

## PRODUKTREGISTRERING

På nätet på [www.beyerdynamic.com](http://www.beyerdynamic.com) kan du registrera dina In-Ear-hörlurar genom att ange serienumret.

## GARANTIVILLKOR

beyerdynamic ger en begränsad garanti på den original beyerdynamic-produkt som du har köpt.

- ▶ Utförlig information om garantivillkoren från beyerdynamic finns på nätet på <https://global.beyerdynamic.com/service/warranty>





# Blue BYRD

## 第2世代

インナーイヤー型イヤホン

取扱説明

## 目次

安全上のご注意 .....	67	トラブルシューティング / FAQ.....	72
適切な使用方法.....	67	バッテリーの寿命 .....	72
音量設定 .....	67	お手入れ .....	72
周囲騒音の低減.....	67	スペアパーツ .....	72
音響知覚の変化.....	67	廃棄 .....	72
清掃.....	67	EU適合宣言.....	72
誤飲の危険 .....	67	技術データ.....	73
バッテリーの使用 .....	67	製品登録 .....	73
周囲環境条件.....	67	保証 .....	73
<b>この説明書について.....</b>	<b>68</b>		
<b>納品範囲 .....</b>	<b>68</b>		
<b>製品の各部の名称 .....</b>	<b>68</b>		
<b>初めてのご使用.....</b>	<b>68</b>		
開封と収納 .....	68		
バッテリーの充電 .....	68		
イヤピースの選択 / 交換 .....	69		
イヤホンの交換と着用.....	69		
<b>BEYERDYNAMIC MIYアプリ.....</b>	<b>69</b>		
<b>ソフトウェアアップデート .....</b>	<b>69</b>		
<b>再生デバイスとの互換性.....</b>	<b>69</b>		
<b>サポートされている音声コーデック .....</b>	<b>69</b>		
<b>操作 .....</b>	<b>70</b>		
スイッチ オン/オフ .....	70		
再生デバイスとの接続 (ペアリング) .....	70		
マルチポイント機能.....	70		
音量設定 .....	71		
メディアの再生.....	71		
パーソナル アシスタントの呼び出し.....	71		
通話の制御.....	71		
工場設定へのリセット .....	71		
操作機能一覧.....	71		
LED表示のリスト.....	71		
最良の音質のための設定.....	72		

このたびは、弊社の Blue BYRD インナーイヤー型イヤホンをお買い求めいただき、誠にありがとうございます。

## 安全上のご注意

- ▶ 本製品をご使用になる前に、この説明書を最後までよくお読みください。
- ▶ 製品の安全な使用等、記載されているすべての注意事項に従ってください。
- ▶ beyerdynamic GmbH & Co. KGは、不注意、不適切な、誤った、または製造業者が意図した目的に応じない方法で製品を使用したために引き起こされた、製品への損害または人体に生じた怪我に対する責任を負いません。
- ▶ 破損した製品はご使用にならないでください。

## 適切な使用方法

本取扱説明に記載された内容に反する方法で本製品をご使用にならないでください。beyerdynamicは、不注意、不適切な、誤った、または製造業者が意図した目的に応じない方法で製品を使用したために引き起こされた、製品への損害または人体に生じた怪我に対する責任を負いません。

beyerdynamicは、USB仕様に沿わないUSBデバイスに生じた損害に対する責任を負いません。

beyerdynamicは、空のまたは古いバッテリーの使用や、Bluetooth® 圏外に出たことによる接続中断が原因で生じた損害に対する責任を負いません。

使用を開始する前に、各国で適用されている規則もご確認ください。

## 音量設定



大音量で長時間使用すると、聴力が損なわれる恐れがあります。インナーイヤー型イヤホンは聴覚伝導路に直接使用されるため、従来のヘッドホンより音量が6-9 dB大きくなります。このため、聴力障害発生のリスクが高くなります。

- ▶ イヤホンを耳に挿入する前に、音量を最低に設定しておいてください。イヤホンを着用してから、音量を上げてください。
- ▶ インナーイヤー型イヤホンは、大音量で長時間使用しないでください。インナーイヤー型イヤホンの音量は、使用中に話してもご自分の声が聞き取れる程度の音量に設定してください。
- ▶ 耳鳴りの症状がある方は、音量を小さくしてご使用ください。必要に応じて、医師の診断をお受けください。

Beyerdynamic MIYアプリをお使いいただくと、Bluetooth®ヘッドホンの音質をカスタマイズできます。アプリの「統計」機能では、お客様の耳がさらされている音圧を経時的に記録します。ここでは、外部の騒音から生じる音圧ではなく、イヤホンから発生する音圧のみを記録します。

## 周囲騒音の低減

インナーイヤー型イヤホンは、周囲騒音を劇的に減少させます。路上でインナーイヤー型イヤホンを使用すると、大変危険な状況が発生することがあります。使用者の聴覚を絶対に妨げてはならないとともに、道路交通に危険を及ぼしてもいけません。

- ▶ また、危険が生じる可能性のある機械や作業機付近ではインナーイヤー型イヤホンを使用しないでください。
- ▶ 聴覚が妨げられるべきではない状況では、インナーイヤー型イヤホンの使用をお避けください。特に、道路上、踏切の通過中や工事現場がこれにあてはまります。

## 音響知覚の変化

インナーイヤー型イヤホンを着用すると、自らの声や体の音響知覚、走る際に耳の中に生じる騒音等、これを着用していない「普通」の状態とは違った感じがすることから、慣れが必要とお感じになる方も多いでしょう。このような初期の違和感は時間とともに減っていきます。

## 清掃

イヤピースの汚れや耳孔内の温暖で湿度の高い「環境」は、ばい菌の繁殖を活発にするため、耳孔内では炎症が起りやすくなります。

- ▶ イヤチップを定期的に掃除してください。

## 誤飲の危険

- ▶ 製品、包装材、アクセサリといった小さな部品をお子様やペットに近づけないようにしてください。誤って飲み込むと窒息する危険があります！

## バッテリーの使用

### 熱、水分、機械的負荷による危険

高温、水分、機械的負荷が生じると、爆発、熱、火災、煙、ガスが発生する危険があります。これによって、怪我や、回復不能なバッテリーの損傷が生じることがあります。

- ▶ バッテリー（バッテリーパックまたは組み込み式バッテリー）を過度の熱、直射日光または火にさらさないでください。
- ▶ ハウジングやバッテリーを分解しないでください。
- ▶ 水と接触した可能性があるバッテリーは使用しないでください。
- ▶ バッテリーの充電には、内蔵されているUSBコネクタ（タイプC）によってUSB 2.0/3.0 標準 5V電源を使用してください（消費電流最大 0.5 A）。

### バッテリーの保管

- ▶ バッテリーを長期間使用しない場合には、充電量を最大充電量の約 50% にして、30°C以下の環境で保管してください。

## 周囲環境条件

- ▶ 本製品を雨、雪、液体、湿気にさらさないでください。

## この説明書について

本説明書では、インナーイヤー型イヤホン Blue BYRD の主要機能について説明しています

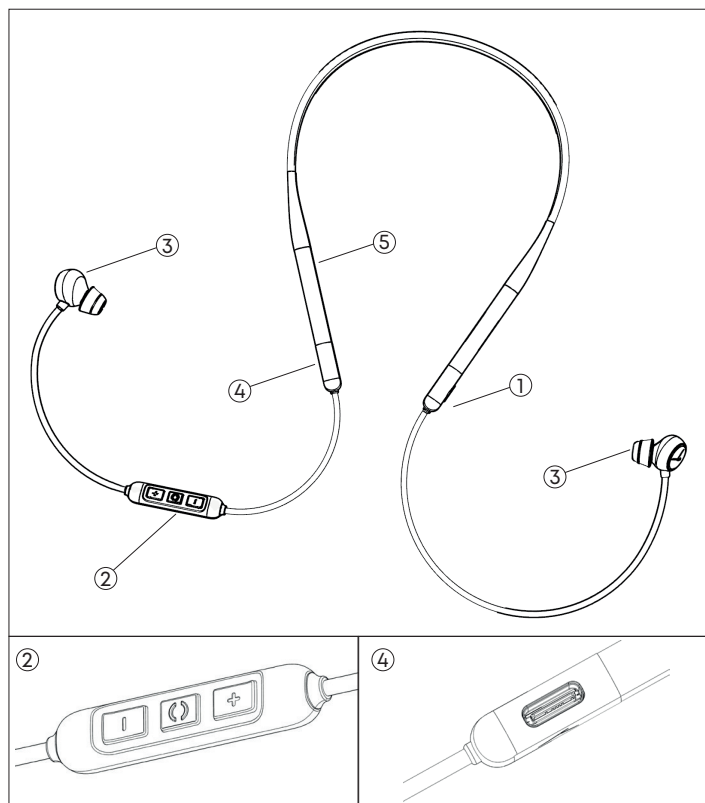
この説明書の内容は、ソフトウェアバージョン 1.0の標準設定に基づいて記述されています。より新しいバージョンが利用できる可能性があります。

- ▶ ソフトウェアアップデートに関する詳細情報は、69ページ「ソフトウェアアップデート」をご覧ください。

## 納品範囲

- インナーイヤー型イヤホン Blue BYRD、Bluetooth®付き
- シリコン製イヤーチップ 5ペア (XS、S、M、L、XL)
- USB A to USB Cケーブル
- 保管用ハードケース
- 取扱説明

## 製品の各部の名称



### 1 オン/オフ ボタン

### 2 リモコン

[+]/[-] 音量を上げる/下げる

( ) マルチ機能ボタン

マイク リモコンの背面

### 3 イヤホン、交換用イヤーチップ付き

### 4 USB Cコネクタ、ケーブル用 (下面)

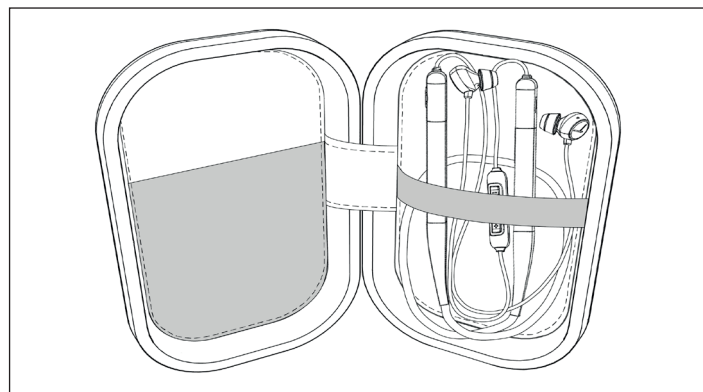
### 5 LED表示 (内側)

## 初めてのご使用

### 開封と収納

- ▶ インナーイヤー型イヤホンをご使用にならない場合および運搬する場合には、付属のハードケースに収納してください。

これにより、本製品を破損から保護します。



### バッテリーの充電

バッテリーの充電の際には、付属のUSBケーブルのみをご使用になることをお勧めします。

1. 付属のケーブルを使用して、インナーイヤー型イヤホンを任意の標準的な USB A コネクタ (USB 電源など) に接続します。
2. 充電後はUSBケーブルを取り外してください。

### LED充電状態表示:

赤点滅:	バッテリーが 0~30% 充電されています
黄点滅:	バッテリーが 30~70% 充電されています
緑点滅:	バッテリーが 70~99% 充電されています
緑点灯:	バッテリーが 100% 充電されています

### リチウムイオンバッテリーの寿命に関する注意

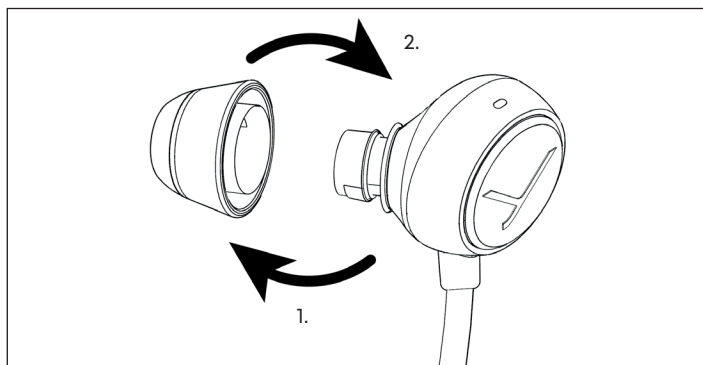
- 充電が完了したら、充電器とインナーイヤー型イヤホンからUSBケーブルを取り外してください。
- **注意**特にバッテリーの充電状態が高い状態で高温にさらすと、元に戻すことができない損傷がもたらされる可能性があります。
- バッテリーを長期間使用しないために保管する場合は、バッテリーの充電状態を約50%にして、20°C以下の環境で保管するようにしてください。
- 使用後は、バッテリー式製品の電源を切ってください。

## イヤピースの選択 / 交換

インナーイヤ型イヤホンの納品時には、5種類のサイズのイヤピースが同梱されています。耳への心地よく安定した固定、優れた外音遮断性、高品質なサウンドを実現するため、適切なイヤチップをお選びいただくことが大切です。

定期的を使用する場合は、3ヶ月毎にイヤチップを交換することを推奨します。シリコン製およびその他の材質のイヤチップは、beyerdynamicの交換パーツショップを通じてご注文いただけます: [www.beyerdynamic.com/service/spare-parts](http://www.beyerdynamic.com/service/spare-parts)

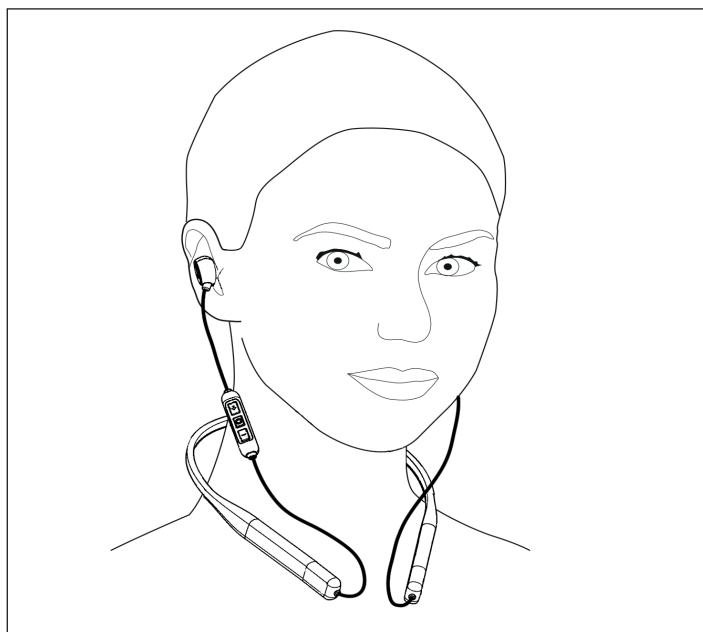
1. すでに取り付けられているイヤチップを、イヤホンから慎重に引っ張って外してください。
2. 新品のイヤピースをイヤホンに取り付けます。



## イヤホンの交換と着用

- ▶ ネックバンドを首に置き、イヤホンに記載された左右の表示に従って、両方のイヤホンを目に入れてください。

イヤホンは、違和感がなく、耳にしっかりとまるのが大切です。



## BEYERDYNAMIC MIYアプリ

beyerdynamicではMIYアプリを継続的に開発し、MOSAYCサウンドカスタマイズ機能、毎日のご使用状況のトラッキング統計機能等の便利な機能やその他の設定によってお客様のBlue BYRDをお客様のニーズに適合していただけるようになっています。MOSAYCサウンドカスタマイズ機能をご利用になると、お客様のBlue BYRDにおけるサウンドがより向上します。



## ソフトウェアアップデート

- ▶ ソフトウェアアップデートはMIYアプリを通じて簡単に行うことができます。

## 再生デバイスとの互換性

インナーイヤ型イヤホンは、次のプロファイルをサポートするBluetooth®再生デバイスと互換性を持ちます。

- A2DP (音声配信)
- HFP (電話)
- HSP (音声出力)
- AVRCP (制御信号の伝達)

対応する機能は、再生デバイスが上記のプロファイルをサポートしている場合のみに使用できます。

## サポートされている音声コーデック

インナーイヤ型イヤホンは、プロファイル A2DP内では音声コーデック SBC、AAC、aptX™ Adaptiveをサポートしています。最高の音品質は、aptX™ Adaptiveにより提供されます。

音声伝送には、再生デバイスで使用できるコーデックのみを使用できます。

再生デバイスとインナーイヤ型イヤホンの両方で使用できるコーデックで最高品質のコーデックが次の順序で自動的に検出されます。

1. aptX™ Adaptive
2. aptX™
3. AAC
4. SBC

大半の再生デバイスでは、使用中のコーデックが表示されることはありません。

## 操作

### スイッチ オン/オフ

#### 電源を入れる:

- ▶ **オン/オフ** ボタンを2秒間押します。

#### 電源を切る:

- ▶ **オン/オフ** ボタンを4秒間押します。



### 再生デバイスとの接続 (ペアリング)

インナーイヤー型イヤホンをはじめて使用する前に、お使いの携帯電話または他のBluetooth®対応機器と接続する必要があります。接続方法は、再生デバイスにより異なります。

- ▶ 再生デバイスの取扱説明書を参照してください。

#### 接続:

- ✓ インナーイヤー型イヤホンのスイッチを切っておいてください。

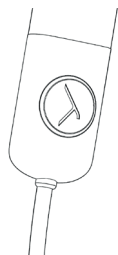
1. **オン/オフ** ボタンを4秒間押します。

Bluetooth®接続モードが開始します。  
LED表示が青と赤に交互に点滅します。

2. 再生デバイスのBluetooth®機能を有効にして、必要な場合は、新しいデバイスを探します。

3. 再生デバイスのBluetooth®メニューに表示される使用可能なデバイスの中から「Blue Byrd (2nd gen.)」を選択し、両方のデバイスを相互に接続します。

正常に接続されると、LEDが7秒ごとに短く青点滅します。これ以降、電源をオンにすると自動的に両方のデバイスが接続されます。



Bluetooth®接続がなくなると、LEDが3秒ごとに短く青点滅します。

#### 既に接続されたことのあるデバイス一覧の削除:

- ▶ **オン/オフ** ボタンを10秒以上押します。

すでに接続されたことのあるBluetooth®デバイス(最大8台)が削除され、インナーイヤー型イヤホンがBluetooth®接続モードに入ります。

### マルチポイント機能

インナーイヤー型イヤホンは、最大8台のBluetooth®対応デバイスと接続できます。最大2台のデバイスと同時にアクティブ接続できます。ただし、音楽の再生と電話は1台のデバイスでのみ同時に可能です。その際、電話が音楽の再生よりも優先されます。つまり、電話がかかってきた場合は音楽の再生が中断されます。

#### 再生デバイスを使用する際の優先順位:

優先順位	プロファイル	再生デバイス
1	HFP (電話)	再生デバイス 1 (最初に接続されたデバイス)
2	HFP (電話)	再生デバイス 2 (2番目に接続されたデバイス)
3	A2DP (音楽の再生)	再生デバイス 1 (最初に接続されたデバイス)
4	A2DP (音楽の再生)	再生デバイス 2 (2番目に接続されたデバイス)

#### マルチポイントの設定:

1. インナーイヤー型イヤホンで最初のデバイスと接続します (70ページ「再生デバイスとの接続 (ペアリング)」を参照)。
2. 最初のデバイスのBluetooth®接続を無効にします。
3. インナーイヤー型イヤホンのスイッチを切ります。
4. インナーイヤー型イヤホンで2台目のデバイスと接続します (70ページ「再生デバイスとの接続 (ペアリング)」を参照)。
5. 最初のデバイスのBluetooth®接続をもう一度有効にします。インナーイヤー型イヤホンとの接続は自動的に確立されます。  
両方のデバイスをインナーイヤー型イヤホンと接続した後で電源を入れると、インナーイヤー型イヤホンは自動的に両方のデバイスと接続されます。

#### マルチポイントの使用:

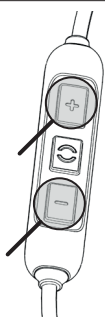
- ✓ インナーイヤー型イヤホンで2台のデバイスと接続しており、メディアの再生が有効になっている場合。
- ▶ ボタン ( ) を1回短く押して、着信電話に応答します。
- ✓ インナーイヤー型イヤホンで2台のデバイスと接続しており、通話を終了した場合。
- ▶ ボタン ( ) を1回短く押すと、通話前に停止した場所からメディアの再生が開始されます。



## 音量設定

### 音量を上げる/下げる:

- ▶ 段階的: [+] / [-] ボタンを短く押します。
- ▶ 連続的: ボタン [+] / [-] を押し続けます。最大/最小音量に到達すると、信号音が鳴ります。



## メディアの再生

記述されている機能は使用中の再生デバイスおよびプレイヤーソフトに依存します。このため、機能によっては実際にご使用いただけない場合もあります。

### 再生のスタート/一時停止:

- ▶ ボタン ( ) を1回短く押します。

### 次/前のタイトルの再生:

- ▶ ボタン ( ) を2/3回短く押します。

### 早送り/巻き戻し:

- ▶ ボタン ( ) を2/3回短く押し、その後押し続けます。



## パーソナルアシスタントの呼び出し

### スマートフォンまたはタブレットのパーソナルアシスタントの呼び出し:

- ▶ ボタン ( ) を2秒間押します。



## 通話の制御

### 電話を受ける/終了する (1):

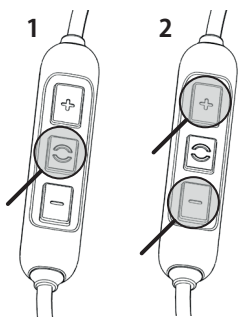
- ▶ ( ) ボタンを短く押します。

### 通話を拒否:

- ▶ ボタン ( ) を2秒間押します。

### 通話の音量を上げる / 下げる (2):

- ▶ ボタン [+] / [-] を押します。



## 工場設定へのリセット

工場設定へのリセットを行うと、個人的なデータがすべて削除されます!

### 工場設定へのリセット:

- ▶ ボタン [+] とボタン [-] を同時に4秒間押します。



## 操作機能一覧

機能	操作
音量を上げる	▶ ボタン [+] を押す
音量を下げる	▶ ボタン [-] を押す
電源を入れる	▶ オン/オフ ボタンを2秒間押す
電源を切る	▶ オン/オフ ボタンを4秒間押す
メディア再生 開始/停止	▶ ボタン ( ) を1回短く押す
次のタイトルへスキップする	▶ ボタン ( ) を2回短く押す
前のタイトルへスキップする	▶ ボタン ( ) を3回短く押す
早送り	▶ ボタン ( ) を2回短く押し、その後押し続けます
巻き戻し	▶ ボタン ( ) を3回短く押し、その後押し続けます
電話に応答 / 終了	▶ ボタン ( ) を1回短く押す
かかってきた電話を拒否	▶ ボタン ( ) を2秒間押す
パーソナルアシスタントを開始する (Siri、Google アシスタントなど)	▶ ボタン ( ) を2秒間押す
音声応答の有効化/無効化	▶ ボタン ( ) とボタン [+] を同時に2秒間押す
工場設定にリセット	▶ ボタン [-] とボタン [+] を同時に4秒間押す

## LED表示のリスト

LED表示	機能
点滅 赤/黄/緑	充電が必要
継続点灯 緑	充電が完了
1.5秒間点灯 赤	電源を切る
高速点滅 赤	電池がまもなく切れる場合
交互点滅 青/赤	Bluetooth®接続モードがアクティブ
7秒毎に青点滅	Bluetooth®接続がアクティブ
3秒毎に青点滅	Bluetooth®接続が切断
7秒毎に青点滅	メディア再生がアクティブ

LED表示	機能
青色で高速点滅	着信通話
7秒毎に青点滅	通話がアクティブ
1秒毎に3回ピンク色に点灯	ソフトウェア アップデートがアクティブ

## 最良の音質のための設定

インナーイヤー型イヤホンでBluetooth®を使用して、できるだけよい音質を得るためには、次の事項にご注意ください:

1. インナーイヤー型イヤホンの音量を最小に設定して、再生デバイスで音量を最大に設定します。
2. その後は、再生デバイスではなく、インナーイヤー型イヤホンでのみ音量を調節します。

これは、音量が自動的に同期されない再生デバイスにのみ当てはまります。音量が自動的に同期される再生デバイス (iPhone、iPad、さまざまな Android スマートフォン) では、ヘッドホンの音量は再生デバイスの音量と常に同じです。

3. 場合によっては、再生デバイスのソフトウェアでオーディオ効果を無効にする必要があります。

## トラブルシューティング / FAQ

### インナーイヤー型イヤホンのスイッチを入れることができない

バッテリーが切れているか、残量が少なくなっています。 ▶ バッテリーを充電してください。

### 音声が出力できない。

Bluetooth®接続が確立されていません。 ▶ インナーイヤー型イヤホンと再生デバイスと接続します。

### 使用できるBluetooth®デバイスとして、インナーイヤー型イヤホンが再生デバイスに表示されない。

インナーイヤー型イヤホンのスイッチを切っておいてください。 ▶ インナーイヤー型イヤホンのスイッチを入れます。

インナーイヤー型イヤホンが接続モードになっていません。 ▶ インナーイヤー型イヤホンと接続モードにします。

別の再生デバイスとのBluetooth®接続がすでに存在しています。 ▶ 他の再生デバイスへのBluetooth®接続を切り、インナーイヤー型イヤホンを希望するデバイスに接続します。

### インナーイヤー型イヤホンの音量が最大に設定されているが、再生音量が低すぎる

伝達される音声信号の音量が小さすぎます。 ▶ 再生デバイスでの再生音量を最大にします。

### 音がシャープで低音再生が不十分である

左右のイヤホンが適切に密着していません。 ▶ 理想的なサウンドが得られるよう、左右の耳に適切なイヤークリップを選択してください。

### ワイヤレスが正常に機能する範囲が小さすぎる、または接続が中断される

- 他のデバイスとの間に障害となるものがあります。 ▶ WLANルーターや電子レンジに近づけないでください。
- ▶ 再生デバイスとインナーイヤー型イヤホンの間に立ち入らないでください。

## バッテリーの寿命

- 充電が完了したら、充電器とインナーイヤー型イヤホンからUSB接続ケーブルを取り外してください。
- 特にバッテリーの充電状態が高い状態で高温にさらすと、元に戻すことができない損傷もたらされる可能性があります。
- バッテリーの保管に関しては、67 ページを参照してください。
- 使用後は、バッテリー式製品の電源を切ってください。

## お手入れ

- インナーイヤー型イヤホンに使用されている部品のお手入れは、アルコール性クリーニング剤を布にしみ込ませて行なってください。ハウジングやトランスデューサーに水が浸入しないように注意してください。
- 溶剤を含むクリーナーを使用すると表面が損傷する恐れがありますので、このようなクリーナーは使用しないでください。

## スペアパーツ

インナーイヤー型イヤホンのスペアパーツは、[www.beyerdynamic.com/service](http://www.beyerdynamic.com/service)でご覧いただけます。

## 廃棄

製品、取扱説明書またはパッケージに記載されるこの記号は、電気および電子機器は使用期限が終了した時点で一般ごみとは別に廃棄されなくてはならないことを意味しています。詳細情報は、お住まいの地域の当局または製品を購入した販売業者にお問い合わせください。



- ▶ 使用済みの電池や電池付き装置は、必ず有効な規則に従って廃棄するようにしてください。回収は無料です。
- ▶ 電池は充電していない状態でのみ廃棄してください。

## EU適合宣言

beyerdynamicは、無線伝送機器が EU 規定 2014/53/EU を満たしていることを宣言します。

- ▶ EU 適合宣言の全文は、[www.beyerdynamic.com/cod](http://www.beyerdynamic.com/cod) をご覧ください。



## 技術データ

Bluetooth®周波数領域	2.400 – 2.4835 GHz
空中線電力	10 dBm
運転温度領域	-10～+60 °C
充電温度領域	0～+45 °C

- ▶ 技術データに関する詳細は、以下のサイトをご覧ください:  
[www.beyerdynamic.com/blue-byrd](http://www.beyerdynamic.com/blue-byrd)

## 製品登録

インターネットサイト [www.beyerdynamic.com](http://www.beyerdynamic.com) でご購入になったインナーイヤホン型イヤホンのシリアル番号を入力し、製品をご登録ください。

## 保証

beyerdynamicは、お買い求めになった純正のbeyerdynamic製品を2年間保証します。

- ▶ beyerdynamicの保証条件に関する詳細情報は、ウェブサイト <https://global.beyerdynamic.com/service/warranty> をご覧ください。

このデバイスは日本の電波法に準拠しています。

このデバイスは変更しないでください。変更を行うと認可番号が無効になります。



# **Blue BYRD** **第 2 代**

**入耳式耳机**

**使用说明书**

# 目录

<b>安全注意事项</b> .....	<b>77</b>	<b>难题/常见问题帮助</b> .....	<b>82</b>
合规使用 .....	77	<b>电池使用寿命</b> .....	<b>82</b>
调节音量 .....	77	<b>清洁和保养</b> .....	<b>82</b>
降低外界感知能力 .....	77	<b>备件</b> .....	<b>82</b>
变化的声音感知程度 .....	77	<b>废弃处理</b> .....	<b>82</b>
清洁 .....	77	<b>欧盟一致性声明</b> .....	<b>82</b>
误吞危险 .....	77	<b>技术指标</b> .....	<b>82</b>
电池使用 .....	77	<b>产品注册</b> .....	<b>82</b>
环境条件 .....	77	<b>质保条款</b> .....	<b>82</b>
<b>使用说明内容</b> .....	<b>78</b>		
<b>随机清单</b> .....	<b>78</b>		
<b>产品概览</b> .....	<b>78</b>		
<b>首要事项</b> .....	<b>78</b>		
拆封及日常收纳 .....	78		
为电池充电 .....	78		
选择/更换耳筒套 .....	79		
使用和佩戴耳机 .....	79		
<b>BEYERDYNAMIC MIY APP</b> .....	<b>79</b>		
<b>软件更新</b> .....	<b>79</b>		
<b>播放设备的兼容性</b> .....	<b>79</b>		
<b>支持的音频编解码器</b> .....	<b>79</b>		
<b>操作</b> .....	<b>80</b>		
开启和关闭 .....	80		
连接播放设备 (配对) .....	80		
多点操作 .....	80		
音量调节 .....	81		
媒体播放 .....	81		
调用个人助手 .....	81		
控制呼入 .....	81		
重置为出厂设置 .....	81		
操作功能概览 .....	81		
LED 指示灯概述 .....	81		
最佳音效设置 .....	82		

非常感谢您的信任和选购 Blue BYRD 入耳式耳机。

## 安全注意事项

- ▶ 使用产品前，应仔细阅读本手册。
- ▶ 严格遵守所有提示，尤其是与安全使用本产品相关的提示。
- ▶ beyerdynamic GmbH & Co. KG 对用户因疏忽、不当、错误或未经制造商认可的用途而引起的产品损坏或人身伤害不予承担责任。
- ▶ 若产品为缺陷产品，请勿使用。

## 合规使用

请按照本使用说明书中的规定正确使用该产品。beyerdynamic 公司对用户因疏忽、不当、错误或未经制造商认可的用途而引起的产品损坏或人身伤害不予承担责任。

对于因未遵循 USB 规范导致的 USB 设备损坏，beyerdynamic 公司概不承担任何责任。

对于因电池电量耗尽或电池老化或超出 Bluetooth® 传输范围导致连接中断而造成的损失，beyerdynamic 公司概不承担任何责任。

调试前也请注意遵守所在各国家（地区）的具体规定。

## 调节音量



音量过高和收听时间过长可能对听力造成损害。入耳式耳机音量比传统耳机高出 6 – 9 dB，且此款耳机直接佩戴在耳道内，在一定程度上增加了听力受损的风险。

- ▶ 佩戴耳机前请将音量设为最低。仅在戴好耳机后方可增加音量。
- ▶ 避免长时间使用入耳式耳机。确保即便佩戴了入耳式耳机，在聆听或轻声说话时仍能听到自己的声音。
- ▶ 若存在耳鸣症状在使用时须降低音量。如有必要，请咨询医生建议。

通过 beyerdynamic MIY App 即可对 Bluetooth® 耳机进行个性化设置。借助应用程序的“统计”功能，可记录您的耳部在不同时间段所处的声压环境。但仅指由耳机的扬声器所产生的声压，而非外部噪声源声压。

## 降低外界感知能力

佩戴入耳式耳机会大大降低人对外界声音的感知能力。在道路交通中使用入耳式耳机存在极大的安全隐患。无论如何都应防止因耳机音效严重影响使用者的听力而造成交通事故。

- ▶ 切勿在存在危险隐患的机器和工作机械的作用范围内佩戴入耳式耳机。
- ▶ 避免在会影响听力的情况下使用入耳式耳机，尤其如横穿铁路道口或在建筑工地上逗留时。

## 变化的声音感知程度

与不佩戴入耳式耳机的“正常”情况下相比，佩戴入耳式耳机时对自己声音、耳机以及所出现内部噪音的声音感知程度是不同的。对于许多人来说，佩戴入耳式耳机需要一个适应过程。佩戴一段时间后，这种奇怪的感觉通常会降低。

## 清洁

由于耳道环境温暖潮湿，若佩戴脏污的耳筒套，将增加耳内滋生的病菌导致耳道感染的风险。

- ▶ 定期清洁耳筒套。

## 误吞危险

- ▶ 请将产品部件、包装部件以及配件妥善放置在远离儿童和宠物的地方。误吞或导致窒息危险！

## 电池使用

### 由于受热、浸水和机械应力导致的危险后果

若电池所处的环境温度过高，电池浸水或遭受过大的机械应力，则存在爆炸、产生高温、起火、冒烟或产生（有害）气体的危险。可能会造成伤害或不可逆转的损坏。

- ▶ 切勿将电池（电池组或已安装的电池）置于过热环境、阳光直射、明火环境下。
- ▶ 请勿打开外壳或拆解电池。
- ▶ 若电池接触到水，请勿使用。
- ▶ 通过内置的 Type-C USB 插槽为电池充电时，仅可使用符合 USB 2.0/3.0 标准的 5 V 电源（电流消耗最高 0.5 A）。

### 电池存放

- ▶ 若电池较长时间不使用，请将充电状态设置为最大电量的约 50 % 并置于 30 °C 以下的环境温度中。

## 环境条件

- ▶ 请避免在雨雪天气、水中和潮湿环境下使用该设备。

## 使用说明内容

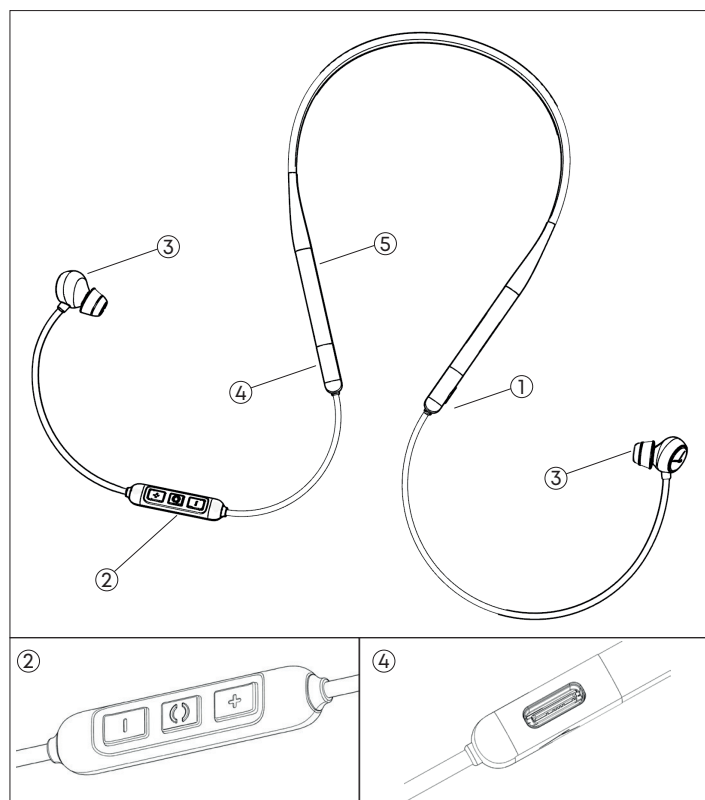
该使用说明介绍了Blue BYRD入耳式耳机的首要功能。其中的信息仅涉及软件版本 1.0 的标准设置。届时或存在更新的软件版本可供使用。

▶ 参阅“软件更新”，第 79 页 获得软件更新指南。

## 随机清单

- 具备 Bluetooth® 功能的 Blue BYRD 入耳式耳机
- 五对由硅胶制成的耳筒套 (XS、S、M、L、XL 型号)
- USB-A 至 USB-C 充电线
- 硬质收纳盒
- 使用说明书

## 产品概览



### 1 开/关键

### 2 线控操作装置

[+]/[-] 提高/降低音量

() 多功能按键

麦克风 线控操作装置背面

### 3 耳机 (带可更换耳筒套)

### 4 用于连接充电线的 USB-C 接口 (底侧)

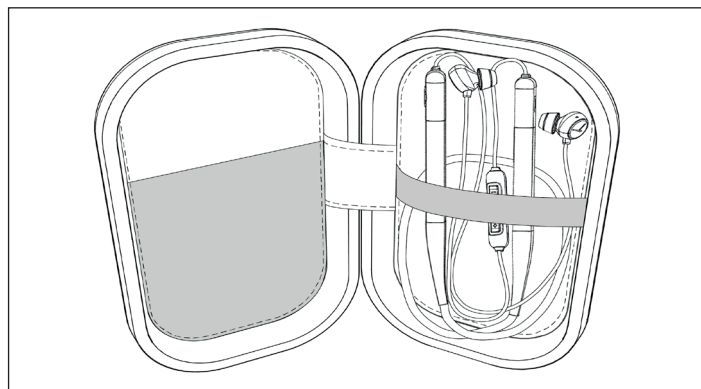
### 5 LED 灯 (内侧)

## 首要事项

### 拆封及日常收纳

- ▶ 闲置待用时或随身携带时，请将入耳式耳机和配件放入随附的硬质收纳盒中。

由此可确保提供最佳保护，并防止产品损坏。



### 为电池充电

建议使用随附的 USB 充电线为电池充电。

1. 使用随附的充电线将入耳式耳机连接至任一符合标准的通电 USB-A 插槽 (如 USB 电源)。
2. 充电完成后，移除 USB 充电线。

### LED 灯显示充电状态:

红灯闪烁: 电池电量 0 - 30 %

黄灯闪烁: 电池电量 30 - 70 %

绿灯闪烁: 电池电量 70 - 99 %

绿灯常亮: 电池已充满

### 锂电池使用寿命提示

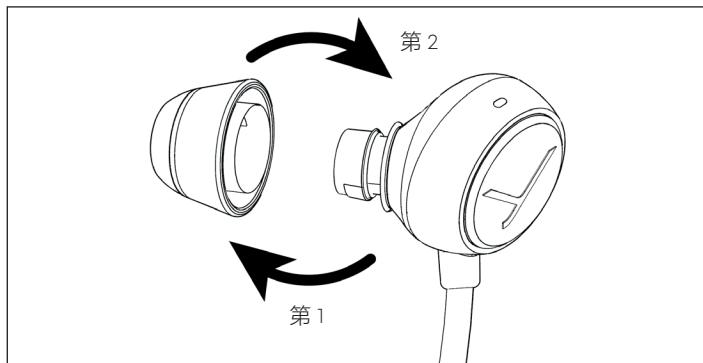
- 充满电后，将 USB 连接线与充电设备和入耳式耳机断开。
- **注意!** 高温环境，尤其是在高充电状态下会导致不可逆转的损坏。
- 如果较长时间不使用或者存放电池，建议您大约保持 50 % 的电池电量并在 20 °C 以下温度保存。
- 使用后请将电池供电的产品关闭。

## 选择/更换耳筒套

入耳式耳机的随机清单包含五个不同尺寸的耳筒套。为达到佩戴舒适且稳固、有效阻隔外界噪音和尽可能获取良好音效的效果，选择最适合您的耳筒套很重要。

参照常规的使用频率我们推荐每三个月更换一次耳筒套。可访问网址 [www.beyerdynamic.com/service/spare-parts](http://www.beyerdynamic.com/service/spare-parts) 在 beyerdynamic 配件商店选购硅胶或其它材质的耳筒套替换件。

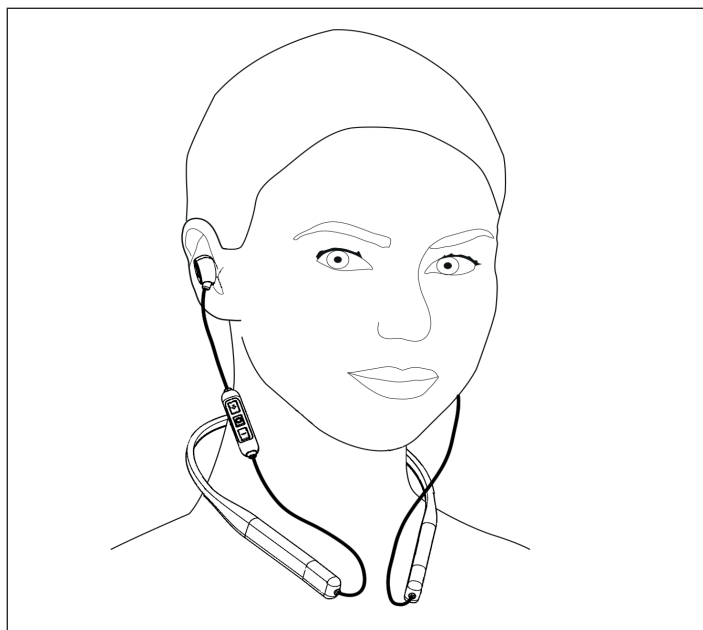
1. 小心地从耳机上取下所安装的耳筒套。
2. 将新的耳筒套固定在耳机上。



## 使用和佩戴耳机

- ▶ 将颈带在颈部挂好并根据相应的标识，将两个耳筒分别戴在左右耳上。

佩戴耳机时应确保舒适和稳固。



## BEYERDYNAMIC MIY APP

Beyerdynamic 的 MIY App 历经精益求精的设计研发过程，以期通过提供实用的功能，例如 MOSAYC 声音个性化功能、基于用户日常听力习惯的跟踪统计以及其他设置，使 Blue BYRD 满足用户的个性化需求。当您使用 MOSAYC 声音个性化功能时，您的 Blue BYRD 将带给您最佳的聆听体验。



## 软件更新

- ▶ 通过 MIY App 可快速进行软件更新。

## 播放设备的兼容性

入耳式耳机与支持以下配置的 Bluetooth® 播放设备兼容：

- A2DP (用于音频传输)
- HFP (用于语音通信)
- HSP (语音输出)
- AVRCP (用于控制信号传输)

只有在播放设备支持的时候才能够使用与之相关的功能。

## 支持的音频编解码器

入耳式耳机在 A2DP 配置内支持音频编解码器 SBC、AAC 和 aptX™ Adaptive。aptX™ Adaptive 将提供最佳的音频质量。

仅能够使用同样在播放设备内存在的编解码器用于音频传输。

播放设备和入耳式耳机自动在最佳的可用的编解码器上以下列顺序进行匹配：

1. aptX™ Adaptive
2. aptX™
3. AAC
4. SBC

大多数播放设备并不显示正在使用的编解码器。

## 操作

### 开启和关闭

#### 启动：

- ▶ 按下**开/关键** 2 秒。

#### 关闭：

- ▶ 按下**开/关键** 4 秒。



### 连接播放设备（配对）

在您第一次使用入耳式耳机前，必须将其与您的移动电话或者其他支持 Bluetooth® 的设备连接。针对不同的播放设备，连接方法可能有所不同。

- ▶ 请遵守播放设备相应的使用说明书。

#### 建立连接：

- ✓ 入耳式耳机已关机。

1. 按下**开/关键** 4 秒。  
启动 Bluetooth® 连接模块。  
LED 灯交替闪烁蓝光和红光。
2. 启用播放设备上的 Bluetooth® 功能，必要时搜索新设备。
3. 在播放设备的 Bluetooth® 菜单中的可用设备下选择“Blue Byrd (2nd gen.)”并连接两台设备。



连接成功后，LED 以 7 秒为间隔短暂闪烁蓝光。每次开启时，当两个设备在在可检测范围内时就会连接。

若 Bluetooth® 连接失败，则 LED 以 3 秒为间隔短暂闪烁蓝光。

#### 删除已配对设备的列表：

- ▶ 按住**开/关键** 10 秒以上。  
将已完成配对的 Bluetooth® 设备（最多 8 台）删除，并将入耳式耳机切换至 Bluetooth® 配对模式。

## 多点操作

入耳式耳机可与多达 8 台 Bluetooth® 设备相连。激活一项连接最多可同时供 2 台设备使用。但是音乐播放和语音通信只能同时与一台设备相连。语音通信优先级高于音乐播放，即通话时，音乐播放将被中断。

#### 使用播放设备 (AG) 时的优先级列表：

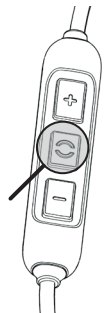
优先级	应用	播放设备 (AG)
1	HFP (语音通信)	AG 1 (第一连接设备)
2	HFP (语音通信)	AG 2 (第二连接设备)
3	A2DP (音乐播放)	AG 1 (第一连接设备)
4	A2DP (音乐播放)	AG 2 (第二连接设备)

#### 设置多点：

1. 连接入耳式耳机与首台设备  
(参见“连接播放设备（配对）”，第 80 页)。
2. 禁用首台设备上的 Bluetooth® 连接。
3. 关闭入耳式耳机。
4. 连接入耳式耳机与第二台设备（参见“连接播放设备（配对）”，第 80 页)。
5. 重新激活自动与入耳式耳机连接的第一台设备的 Bluetooth® 连接。  
两台设备与入耳式耳机连接后，每次接通入耳式耳机时，都会自动连接到这两台设备。

#### 使用多点：

- ✓ 您已将入耳式耳机连接到两台设备，并激活了媒体播放。
- ▶ 短按 ( ) 按键 1 次，接听来电。
- ✓ 您已将入耳式耳机连接到两台设备，并挂断了通话。
- ▶ 短按 ( ) 按键 1 次，开启最近访问的媒体播放。

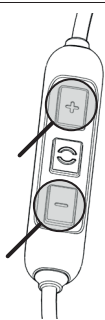




## 音量调节

### 提高/降低音量:

- ▶ 逐级: 短暂按下 **[+]** / **[-]** 按键。
- ▶ 连续: 长按 **[+]** / **[-]** 按键。  
当音量调至最高/最低时, 将发出信号音。



## 媒体播放

所述功能基于所使用的播放设备及播放器软件而有所不同, 个别功能或不可用。

### 播放/暂停播放:

- ▶ 短按 **( )** 按键 1 次。

### 播放下上/下一曲:

- ▶ 短按 **( )** 按键 2 或 3 次。

### 快进/快退:

- ▶ 短暂按下 **( )** 按键 2 或 3 次, 之后长按。



## 调用个人助手

### 在智能手机或平板电脑上调用个人助手:

- ▶ 按下按键 **( )** 2 秒。



## 控制呼入

### 接受/结束呼叫 (1):

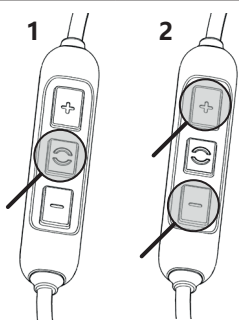
- ▶ 短按 **( )** 按键。

### 拒接来电:

- ▶ 按下按键 **( )** 2 秒。

### 提高/降低 通话音量 (2):

- ▶ 按下 **[+]** / **[-]** 按键。

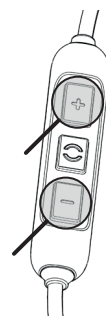


## 重置为出厂设置

若恢复出厂设置, 则所有个人数据将被删除!

### 重置为出厂设置:

- ▶ 同时按下 **[+]** 和 **[-]** 按键 4 秒。



## 操作功能概览

功能	操作
提高音量	▶ 按下 <b>[+]</b> 按键
降低音量	▶ 按下 <b>[-]</b> 按键
启动	▶ 按下 <b>/</b> 键 2 秒
关闭	▶ 按下 <b>/</b> 键 4 秒
开启/结束媒体播放	▶ 短按 <b>( )</b> 按键 1 次
调至后一曲目	▶ 短按 <b>( )</b> 按键 2 次
调至前一曲目	▶ 短按 <b>( )</b> 按键 3 次
快进	▶ 短按 <b>( )</b> 按键 2 次, 之后保持按住不放
快退	▶ 短按 <b>( )</b> 按键 3 次, 之后保持按住不放
接受/结束呼叫	▶ 短按 <b>( )</b> 按键 1 次
拒接来电	▶ 按下 <b>( )</b> 按键 2 秒。
开启个人助手 (Siri、Google 助手等)	▶ 按下 <b>( )</b> 按键 2 秒。
开启或关闭语音提示	▶ 同时按下 <b>( )</b> 和 <b>[+]</b> 按键 2 秒
重置为出厂设置	▶ 同时按下 <b>[+]</b> 和 <b>[-]</b> 按键 4 秒

## LED 指示灯概述

LED 指示灯	功能
红灯/黄灯/绿灯闪烁	充电
绿灯长亮	已经完成充电
红灯 1.5 秒闪烁 1 次	关闭
红灯快速闪烁	电池电量低
红蓝灯交替闪烁	Bluetooth® 连接模式处于激活状态
蓝灯每 7 秒短暂闪烁 1 次	Bluetooth® 连接处于激活状态
蓝灯每 3 秒短暂闪烁 1 次	Bluetooth® 连接断开
蓝灯每 7 秒短暂闪烁 1 次	媒体播放处于激活状态
蓝灯快速闪烁	来电
蓝灯每 7 秒短暂闪烁 1 次	通话中
粉灯每秒闪烁 3 次	软件更新模式激活

## 最佳音效设置

为了使用入耳式耳机通过 Bluetooth® 获得最佳声效，您需留意以下实用提示：

1. 将入耳式耳机的音量调至最低，将播放设备的音量调至最高。
2. 然后就只调节入耳式耳机的音量，不再调整播放设备的音量。

该操作仅适用于不会自动同步音量的播放设备。针对不会自动同步音量的播放设备（例如 iPhone、iPad、各种安卓智能手机），耳机音量始终与播放设备的音量相同。

3. 或者可以禁用播放设备的软件中现有的音效。

## 难题/常见问题帮助

### 入耳式耳机不能开启

电池没电或仅存有微量电量。 ▶ 为电池充电。

### 没有声音输出。

没有 Bluetooth® 连接。 ▶ 将入耳式耳机与播放设备连接。

### 入耳式耳机未出现在播放设备的可用 Bluetooth® 设备列表中。

入耳式耳机已关机。 ▶ 开启入耳式耳机。

入耳式耳机未处于连接模式。 ▶ 将入耳式耳机设置为连接模式。

其与另一台播放设备已经存在 Bluetooth® 连接。 ▶ 断开与其他播放设备的 Bluetooth® 连接，并将入耳式耳机连接至所需的设备。

### 播放声音太小，尽管在入耳式耳机上已设置为最大

播放的音频信号太小。 ▶ 将播放设备上的播放音量调至最大。

### 声音尖锐，并且低音太低

耳机的密封性不足。 选择左右耳筒套，直至获得最理想的声效。

### 无线范围过小或连接中断

存在其他设备造成的干扰。 ▶ 与 WLAN 路由器和微波炉保持安全距离。

▶ 切勿在播放设备与入耳式耳机之间停留。

## 电池使用寿命

- 充满电后，将 USB 连接线与充电设备和入耳式耳机断开。
- 高温环境，尤其是在高充电状态下会导致不可逆转的损坏。
- 电池的存放参见第 77 页。
- 使用后请将电池供电的产品关闭。

## 清洁和保养

- 请使用蘸有酒精清洁剂的湿布清洁入耳式耳机的所有部件。注意，须防止液体进入外壳或声换能器内。
- 不得使用含溶剂的清洁剂，因为有可能造成设备表面受损。

## 备件

有关入耳式耳机的备件信息请参见 [www.beyerdynamic.com/service](http://www.beyerdynamic.com/service)。

## 废弃处理

在产品上、使用说明书中或者在包装上存在这一标志意味着，您的电气和电子设备在其使用寿命终止时须与普通生活垃圾相区分并作废弃处理。请咨询当地官方人员或者您购买产品的经销商获得更多信息。



- ▶ 始终按照适用的条例废弃处理使用过的电池或者含电池的设备。交至回收处无需任何费用。
- ▶ 仅对已放电的电池做废弃处理。

## 欧盟一致性声明

Beyerdynamic 公司在此声明，本无线传输设备符合欧盟条例 2014/53/EU 的规定。

- ▶ 访问网址 [www.beyerdynamic.com/cod](http://www.beyerdynamic.com/cod)，查阅欧盟一致性声明完整版

## 技术指标

Bluetooth® 频率范围	2.400 – 2.4835 GHz
传输功率	10 dBm
工作温度范围	-10 至 +60 °C
充电温度范围	0 至 +45 °C

- ▶ 通过以下网址能够获得关于技术指标的更多信息：  
[www.beyerdynamic.com/blue-byrd](http://www.beyerdynamic.com/blue-byrd)

## 产品注册

您可在 [www.beyerdynamic.com](http://www.beyerdynamic.com) 网站内根据序列号注册您的入耳式耳机。

## 质保条款

Beyerdynamic 公司为您所购买的原装 beyerdynamic 产品提供有条件限制的质保。

- ▶ 请访问网址 <https://global.beyerdynamic.com/service/warranty> 以获取 beyerdynamic 质保条款详情





**[www.beyerdynamic.com](http://www.beyerdynamic.com)**

---

**beyerdynamic GmbH & Co. KG**

Theresienstraße 8 · 74072 Heilbronn · Germany

For further distributors worldwide,  
please go to [www.beyerdynamic.com](http://www.beyerdynamic.com)

Non-contractual illustrations. Subject to change without notice.

Weitere Vertriebspartner weltweit finden Sie im Internet unter [www.beyerdynamic.com](http://www.beyerdynamic.com)

Abbildungen nicht vertragsbindend.

Änderungen vorbehalten.